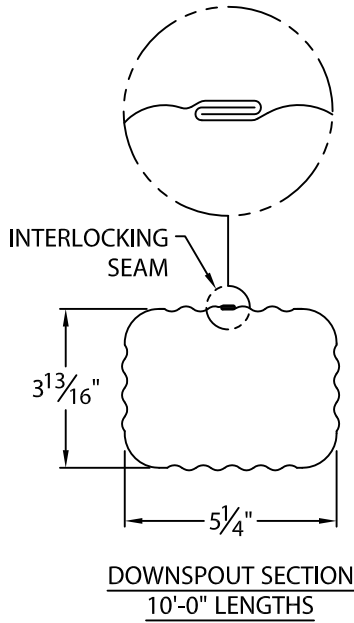
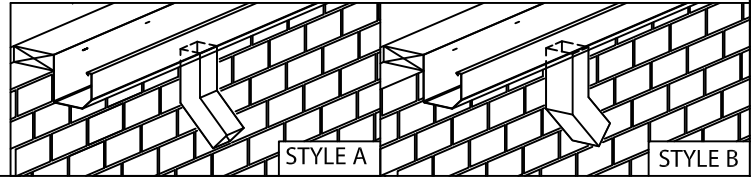
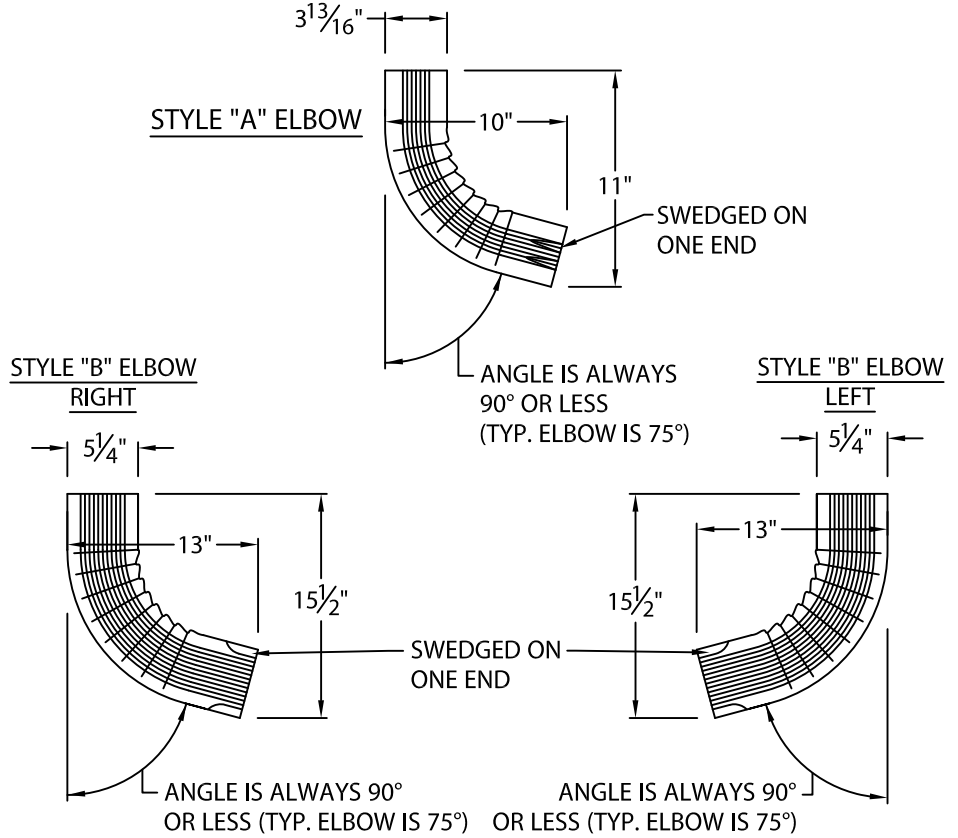


# PAC-TITE LT CORRUGATED DOWNSPOUT & ELBOWS

4" x 5" DOWNSPOUT



2<sup>1</sup>/<sub>4</sub>" WIDE DOWNSPOUT STRAPS  
(2 PER 10'-0" LENGTH)



Fabrication will proceed only after receipt of signed print approval.

## Print Approval:

Architect and/or contractor shall verify all dimensions, sizes and quantities. All products to be installed in strict accordance with Petersen Aluminum's printed instructions.

Approved by: \_\_\_\_\_

Date: \_\_\_\_\_

**DOWNSPOUT MATERIAL:**

\_\_\_ 24 GA. GALV. STEEL

\_\_\_ 22 GA. GALV. STEEL

\_\_\_ .032" ALUMINUM

\_\_\_ .040" ALUMINUM

OTHER \_\_\_\_\_

COLOR: \_\_\_\_\_

FINISH: \_\_\_\_\_

**ELBOW MATERIAL:**

\_\_\_ 24 GA. GALV. STEEL

\_\_\_ .032" ALUMINUM

OTHER \_\_\_\_\_

COLOR: \_\_\_\_\_

FINISH: \_\_\_\_\_

### QUANTITIES:

\_\_\_\_\_ LINEAL FEET 10'-0" LENGTHS

\_\_\_\_\_ PIECES @ \_\_\_\_\_ LENGTHS

\_\_\_\_\_ OUTLETS

\_\_\_\_\_ STYLE A ELBOWS ( \_\_\_\_\_°)

\_\_\_\_\_ STYLE B RIGHT ELBOWS ( \_\_\_\_\_°)

\_\_\_\_\_ STYLE B LEFT ELBOWS ( \_\_\_\_\_°)

PROJECT:

ARCHITECT:

ROOFING CONTRACTOR:

REPRESENTATIVE/DISTRIBUTOR:



Phone: 800-323-1960 Fax: 800-722-7150  
www.pac-clad.com  
e-mail: info@pac-clad.com

DATE: 03/18/21  
DRN BY: ZS  
CKD BY: MM

SHT.# \_\_\_\_ OF \_\_\_\_  
DWG# 41013-35939

A