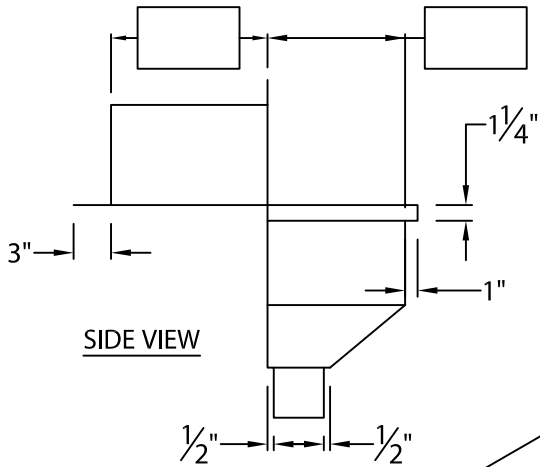


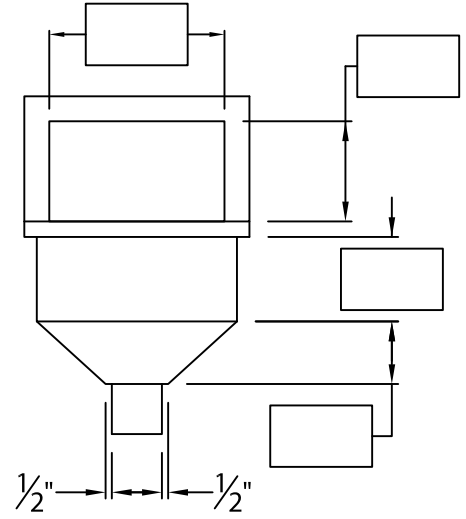
THRU-WALL SCUPPER

WELDED, DROPPED COLLECTOR BOX VERSION

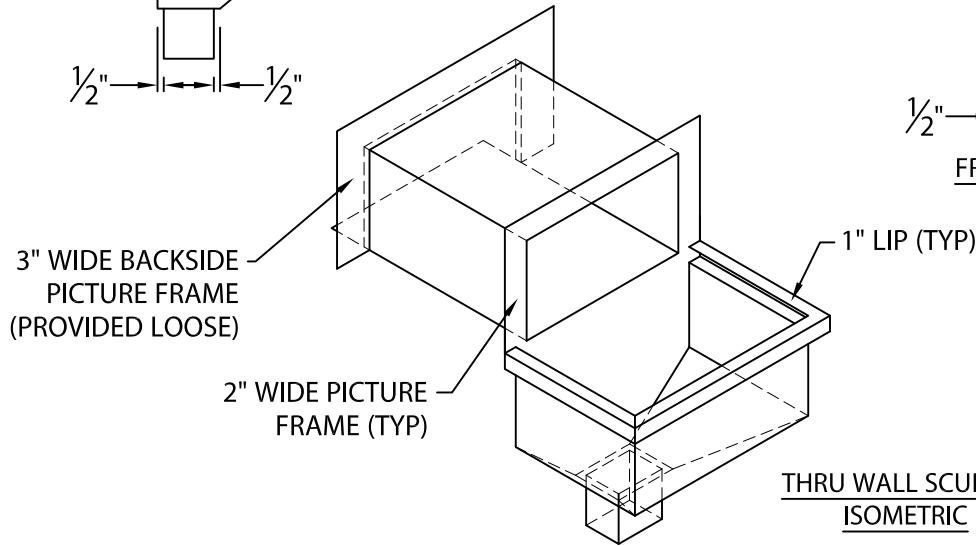
STYLE 3



SIDE VIEW



FRONT VIEW



THRU WALL SCUPPER
ISOMETRIC

WELDED

Fabrication will proceed only after receipt of signed print approval.

Print Approval:

Architect and/or contractor shall verify all dimensions, sizes and quantities. All products to be installed in strict accordance with Petersen Aluminum's printed instructions.

Approved by: _____

Date: _____

MATERIAL:

.063" ALUMINUM

COLOR: _____

FINISH: _____

QUANTITIES:

_____ AMOUNT REQUIRED*

DOWNSPOUT SIZE _____" x _____"

*QUANTITIES OVER 15 REQUIRE AN EXTENDED LEAD TIME DUE TO POST COATING PROCESS.

PROJECT:

ARCHITECT:

ROOFING CONTRACTOR:

REPRESENTATIVE/DISTRIBUTOR:



Phone: 800-323-1960 Fax: 800-722-7150
www.pac-clad.com
e-mail: info@pac-clad.com

DATE: 03/18/21

DRN BY: ZS

CKD BY: MM

SHT.# ___ OF ___

DWG# 41018-35948

A