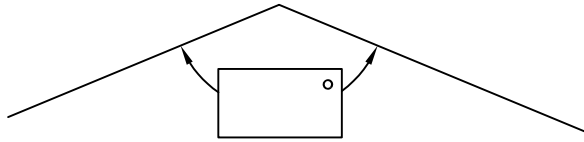


# NON 90° GUTTER MITERS

## OUTSIDE MITER - OBTUSE

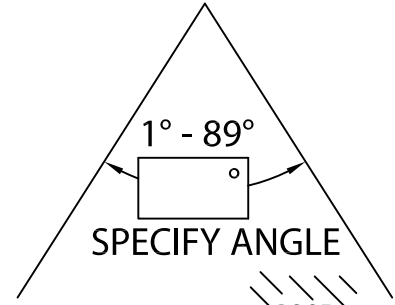


SPECIFY ANGLE 91° - 179°



- Standard Leg Lengths  
 Custom Leg Lengths \_\_\_\_\_ Qty \_\_\_\_\_

## OUTSIDE MITER - ACUTE

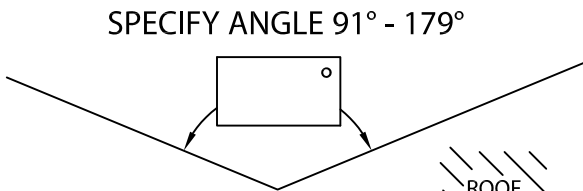


SPECIFY ANGLE



- Standard Leg Lengths  
 Custom Leg Lengths \_\_\_\_\_ Qty \_\_\_\_\_

## INSIDE MITER - OBTUSE

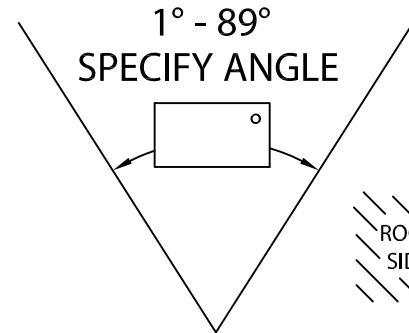


SPECIFY ANGLE 91° - 179°



- Standard Leg Lengths  
 Custom Leg Lengths \_\_\_\_\_ Qty \_\_\_\_\_

## INSIDE MITER - ACUTE



SPECIFY ANGLE



- Standard Leg Lengths  
 Custom Leg Lengths \_\_\_\_\_ Qty \_\_\_\_\_

Fabrication will proceed only after receipt of signed print approval.

## Print Approval:

Architect and/or contractor shall verify all dimensions, sizes and quantities. All products to be installed in strict accordance with Petersen Aluminum's printed instructions.

Approved by: \_\_\_\_\_

Date: \_\_\_\_\_

## MATERIAL:

- \_\_\_ 24 Ga. (.65 mm) Steel  
 \_\_\_ .040" (1.01 mm) Alum. Color: \_\_\_\_\_  
 \_\_\_ .050" (1.27 mm) Alum. Finish: \_\_\_\_\_  
 \_\_\_ .063" (1.60 mm) Alum.  
 \_\_\_ Other \_\_\_\_\_

PROJECT:

ARCHITECT:

ROOFING CONTRACTOR:

REPRESENTATIVE/DISTRIBUTOR:



Phone: 800-323-1960 Fax: 800-722-7150  
 www.pac-clad.com  
 e-mail: info@pac-clad.com

DATE: 02/17/16

DRN BY: JJC

CKD BY: SAK

SHT.# \_\_\_ OF \_\_\_

DWG# 41012-15305

B