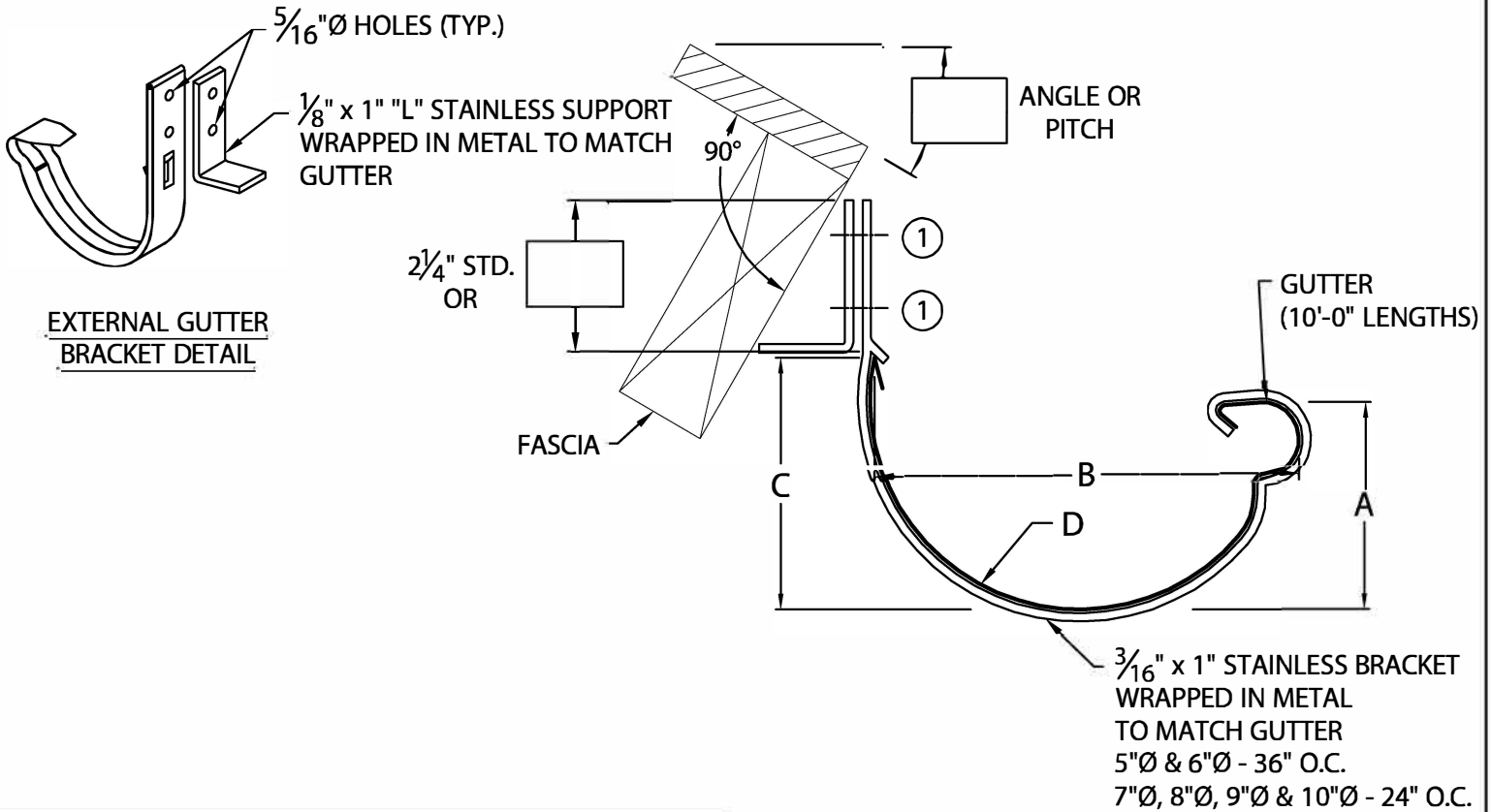


PAC-TITE LT HALF ROUND GUTTER

NON-VERTICAL FASCIA WITH "L" SUPPORT VERSION



GUTTER DIAMETER	A	B	C	D
<input type="checkbox"/> 5" Ø ②	2 1/2"	5 1/4"	3"	2 1/2" RADIUS
<input type="checkbox"/> 6" Ø	3"	6 1/4"	3 1/2"	3" RADIUS
<input type="checkbox"/> 7" Ø	3 1/2"	7 1/4"	4"	3 1/2" RADIUS
<input type="checkbox"/> 8" Ø	4"	8 1/4"	4 1/2"	4" RADIUS
<input type="checkbox"/> 9" Ø	4 1/2"	9 1/4"	5"	4 1/2" RADIUS
<input type="checkbox"/> 10" Ø	5"	10 1/4"	5 1/2"	5" RADIUS

NOTES:

- MATERIAL PROVIDED WITH 6" WIDE SPLICE PLATES. ④
- MATERIAL NEEDS FIELD NOTCHED LAP JOINTS. ③
- 1/8" STAINLESS STEEL POP RIVETS PROVIDED.
- UNLESS OTHERWISE NOTED, FABRICATION OF MITERS ARE FURNISHED STANDARD UTILIZING POP RIVETS, THEN FACTORY SEALED WATERTIGHT.
- WELDED ACCESSORIES REQUIRE A MINIMUM MATERIAL THICKNESS OF .050".

AUTHORIZED SIGNATURE: _____

APPROVED BY: _____

DATE: _____

- ① ROOF PITCH AND "L" SUPPORT SIZE DETERMINE THE TYPE OF FASTENERS PROVIDED
- ② THIS SIZE NOT AVAILABLE IN 22 GA. GALV. STEEL OR .050" ALUM.

MATERIAL:

- ___ 24 GA. GALV. STEEL ③
- ___ 22 GA. GALV. STEEL ② ③
- ___ .032" ALUMINUM ③
- ___ .040" ALUMINUM ③
- ___ .050" ALUMINUM ② ④
- OTHER _____
- COLOR: _____
- FINISH: _____

QUANTITIES:

- ___ LINEAL FEET 10'-0" LENGTHS
- ___ OUTSIDE MITERS @ 90°
- ___ INSIDE MITERS @ 90°
- ___ ENDCAPS: RIGHT _____ LEFT _____
- FOR NON-90 MITERS SEE PRINT APPROVAL

PROJECT: _____

ARCHITECT: _____

ROOFING CONTRACTOR: _____

REPRESENTATIVE/DISTRIBUTOR: _____

Phone: 800-323-1960 Fax: 800-722-7150
www.pac-clad.com
e-mail: info@pac-clad.com



DATE 06/07/21

DRN BY: JJC

CKD BY: MM

SHT. # ___ OF ___

DWG# 41012-36356

A