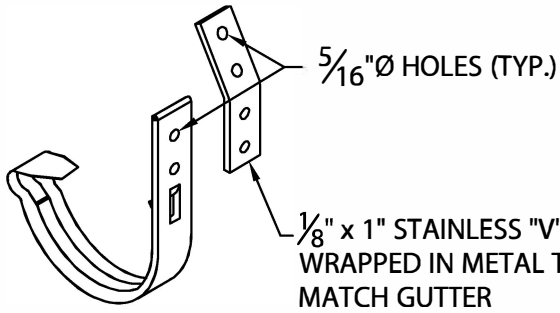
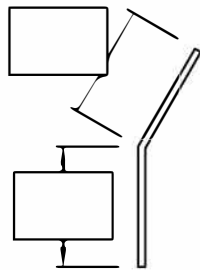


PAC-TITE LT HALF ROUND GUTTER

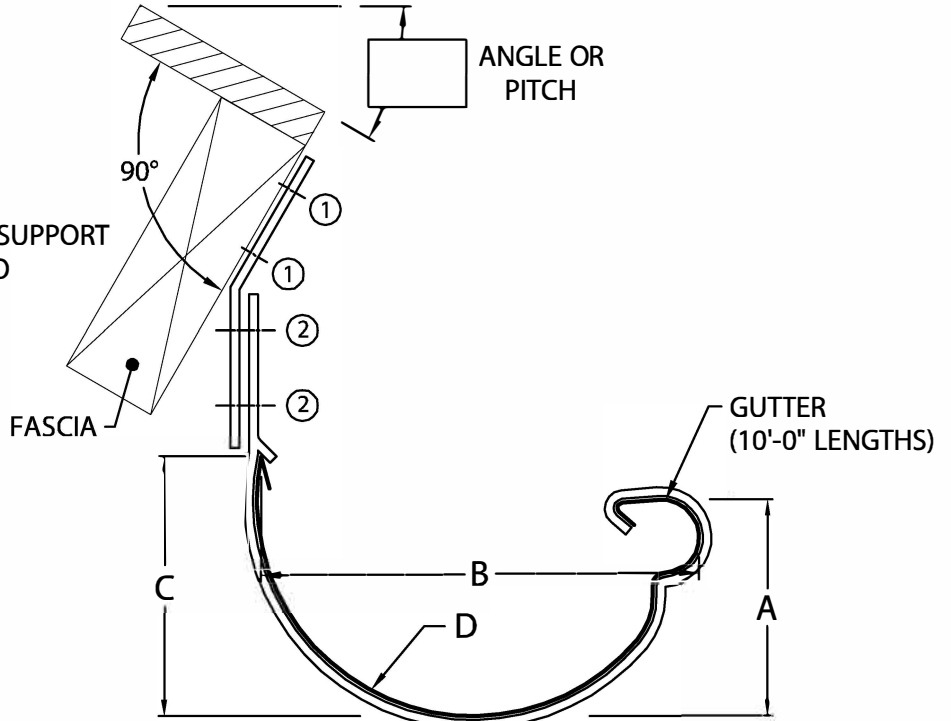
NON-VERTICAL FASCIA WITH "V" SUPPORT VERSION



EXTERNAL GUTTER BRACKET DETAIL



"V" SUPPORT DETAIL



3/16" x 1" STAINLESS BRACKET WRAPPED IN METAL TO MATCH GUTTER
 5"Ø & 6"Ø - 36" O.C.
 7"Ø, 8"Ø, 9"Ø & 10"Ø - 24" O.C.

GUTTER DIAMETER	A	B	C	D
<input type="checkbox"/> 5"Ø ③	2½"	5¼"	3"	2½" RADIUS
<input type="checkbox"/> 6"Ø	3"	6¼"	3½"	3" RADIUS
<input type="checkbox"/> 7"Ø	3½"	7¼"	4"	3½" RADIUS
<input type="checkbox"/> 8"Ø	4"	8¼"	4½"	4" RADIUS
<input type="checkbox"/> 9"Ø	4½"	9¼"	5"	4½" RADIUS
<input type="checkbox"/> 10"Ø	5"	10¼"	5½"	5" RADIUS

- ① #10 x 1½" STAINLESS STEEL FASTENERS (PROVIDED)
- ② STOVE BOLTS (PROVIDED)
- ③ THIS SIZE NOT AVAILABLE IN 22 GA. GALV. STEEL OR .050" ALUM.

MATERIAL:

24 GA. GALV. STEEL ④
 22 GA. GALV. STEEL ③ ④
 .032" ALUMINUM ④
 .040" ALUMINUM ④
 .050" ALUMINUM ③ ⑤
 OTHER: _____
 COLOR: _____
 FINISH: _____

QUANTITIES:

_____ LINEAL FEET 10'-0" LENGTHS
 _____ OUTSIDE MITERS @ 90°
 _____ INSIDE MITERS @ 90°
 _____ ENDCAPS: RIGHT _____ LEFT _____
 FOR NON-90 MITERS SEE PRINT APPROVAL

NOTES:

- MATERIAL PROVIDED WITH 6" WIDE SPLICE PLATES. ⑤
- MATERIAL NEEDS FIELD NOTCHED LAP JOINTS. ④
- 1/8" STAINLESS STEEL POP RIVETS PROVIDED.
- UNLESS OTHERWISE NOTED, FABRICATION OF MITERS ARE FURNISHED STANDARD UTILIZING POP RIVETS, THEN FACTORY SEALED WATERTIGHT.
- WELDED ACCESSORIES REQUIRE A MINIMUM MATERIAL THICKNESS OF .050".

AUTHORIZED SIGNATURE:

APPROVED BY: _____

DATE:

PROJECT:

ARCHITECT:

ROOFING CONTRACTOR:

REPRESENTATIVE/DISTRIBUTOR:

Phone: 800-323-1960 Fax: 800-722-7150
 www.pac-clad.com
 e-mail: info@pac-clad.com



DATE 06/07/21

DRN BY: JJC

CKD BY: MM

SHT. # ___ OF ___

DWG# 41012-36357

A