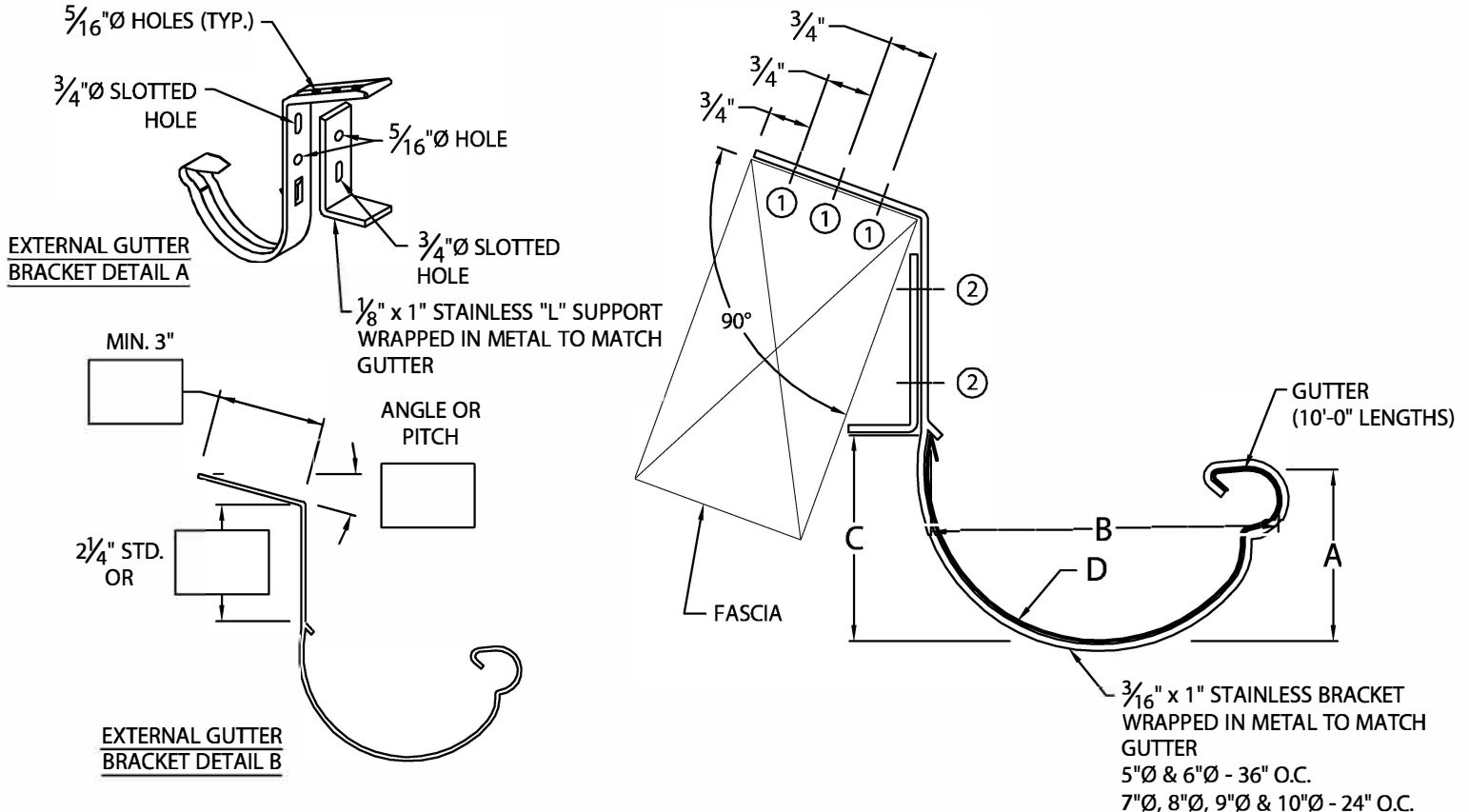


PAC-TITE LT HALF ROUND GUTTER

ROOF MOUNT WITH "L" FASCIA SUPPORT VERSION



GUTTER DIAMETER	A	B	C	D
<input type="checkbox"/> 5"Ø ③	2½"	5¼"	3"	2½" RADIUS
<input type="checkbox"/> 6"Ø	3"	6¼"	3½"	3" RADIUS
<input type="checkbox"/> 7"Ø	3½"	7¼"	4"	3½" RADIUS
<input type="checkbox"/> 8"Ø	4"	8¼"	4½"	4" RADIUS
<input type="checkbox"/> 9"Ø	4½"	9¼"	5"	4½" RADIUS
<input type="checkbox"/> 10"Ø	5"	10¼"	5½"	5" RADIUS

NOTES:

- MATERIAL PROVIDED WITH 6" WIDE SPLICE PLATES. ⑤
- MATERIAL NEEDS FIELD NOTCHED LAP JOINTS. ④
- 1/8" STAINLESS STEEL POP RIVETS PROVIDED.
- UNLESS OTHERWISE NOTED, FABRICATION OF MITERS ARE FURNISHED STANDARD UTILIZING POP RIVETS, THEN FACTORY SEALED WATERTIGHT.
- WELDED ACCESSORIES REQUIRE A MINIMUM MATERIAL THICKNESS OF .050".

AUTHORIZED SIGNATURE:

APPROVED BY: _____

DATE:

- ① 10 - 12 x 1" SCREWS (PROVIDED)
- ② STOVE BOLTS (PROVIDED)
- ③ THIS SIZE NOT AVAILABLE IN 22 GA. GALV. STEEL OR .050" ALUM.

MATERIAL:

- ___ 24 GA. GALV. STEEL ④
 - ___ 22 GA. GALV. STEEL ③ ④
 - ___ .032" ALUMINUM ④
 - ___ .040" ALUMINUM ④
 - ___ .050" ALUMINUM ③ ⑤
 - OTHER _____
- COLOR: _____
- FINISH: _____

QUANTITIES:

- ___ LINEAL FEET 10'-0" LENGTHS
 - ___ OUTSIDE MITERS @ 90°
 - ___ INSIDE MITERS @ 90°
 - ___ ENDCAPS: RIGHT _____ LEFT _____
- FOR NON-90 MITERS SEE PRINT APPROVAL

PROJECT:

ARCHITECT:

ROOFING CONTRACTOR:

REPRESENTATIVE/DISTRIBUTOR:

Phone: 800-323-1960 Fax: 800-722-7150
www.pac-clad.com
e-mail: info@pac-clad.com



DATE 06/07/21

DRN BY: JJC

CKD BY: MM

SHT. # ___ OF ___

DWG# 41012-36354

A