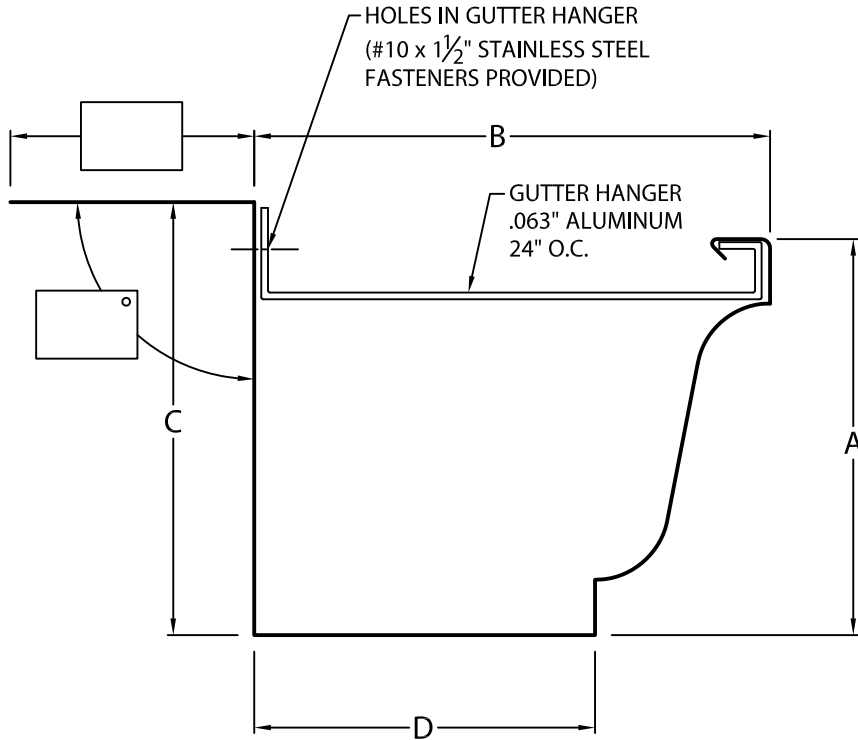


PAC-TITE LT GUTTER-K-STYLE

WITH ROOF FLANGE



- ① MATERIAL NEEDS FIELD NOTCHED LAP JOINTS.
- ② MATERIAL PROVIDED WITH 6" WIDE SPLICE PLATES.

GUTTER SIZE	A	B	C	D
<input type="checkbox"/> 6"	4 1/2"	6"	5"	3 7/8"
<input type="checkbox"/> 7"	5 3/8"	7"	5 7/8"	4 5/8"
<input type="checkbox"/> 8"	6"	8"	6 1/8"	5 3/8"

MATERIAL:

- ___ 24 GA. GALV. STEEL ①
- ___ 22 GA. GALV. STEEL ①
- ___ .032" ALUMINUM ①
- ___ .040" ALUMINUM ①
- ___ .050" ALUMINUM ②
- OTHER _____

COLOR: _____

FINISH: _____

NOTES:

- 6" SPLICE PLATES PROVIDED.
- 1/8" STAINLESS STEEL POP RIVETS PROVIDED.
- UNLESS OTHERWISE NOTED, FABRICATION OF MITERS ARE FURNISHED STANDARD UTILIZING POP RIVETS, THEN FACTORY SEALED WATERTIGHT.
- WELDED ACCESSORIES REQUIRE A MINIMUM MATERIAL THICKNESS OF .050".

QUANTITIES:

- _____ LINEAL FEET 10'-0" LENGTHS
- _____ LINEAL FEET 20'-0" LENGTHS
- _____ PIECES @ _____ LENGTHS
- _____ OUTSIDE MITERS @ 90°
- _____ INSIDE MITERS @ 90°
- _____ ENDCAPS: RIGHT _____ LEFT _____

FOR NON-90 MITERS SEE PRINT APPROVAL #41012-35934

AUTHORIZED SIGNATURE:

APPROVED BY: _____

DATE: _____

PROJECT:

ARCHITECT:

ROOFING CONTRACTOR:

REPRESENTATIVE/DISTRIBUTOR:



PHONE: 800-323-1960 FAX: 800-722-7150
WWW.PAC-CLAD.COM
E-MAIL: INFO@PAC-CLAD.COM

DATE: 03/18/21

DRN BY: ZS

CKD BY: MM

SHT.# ____ OF ____

DWG# 41012-35935

A