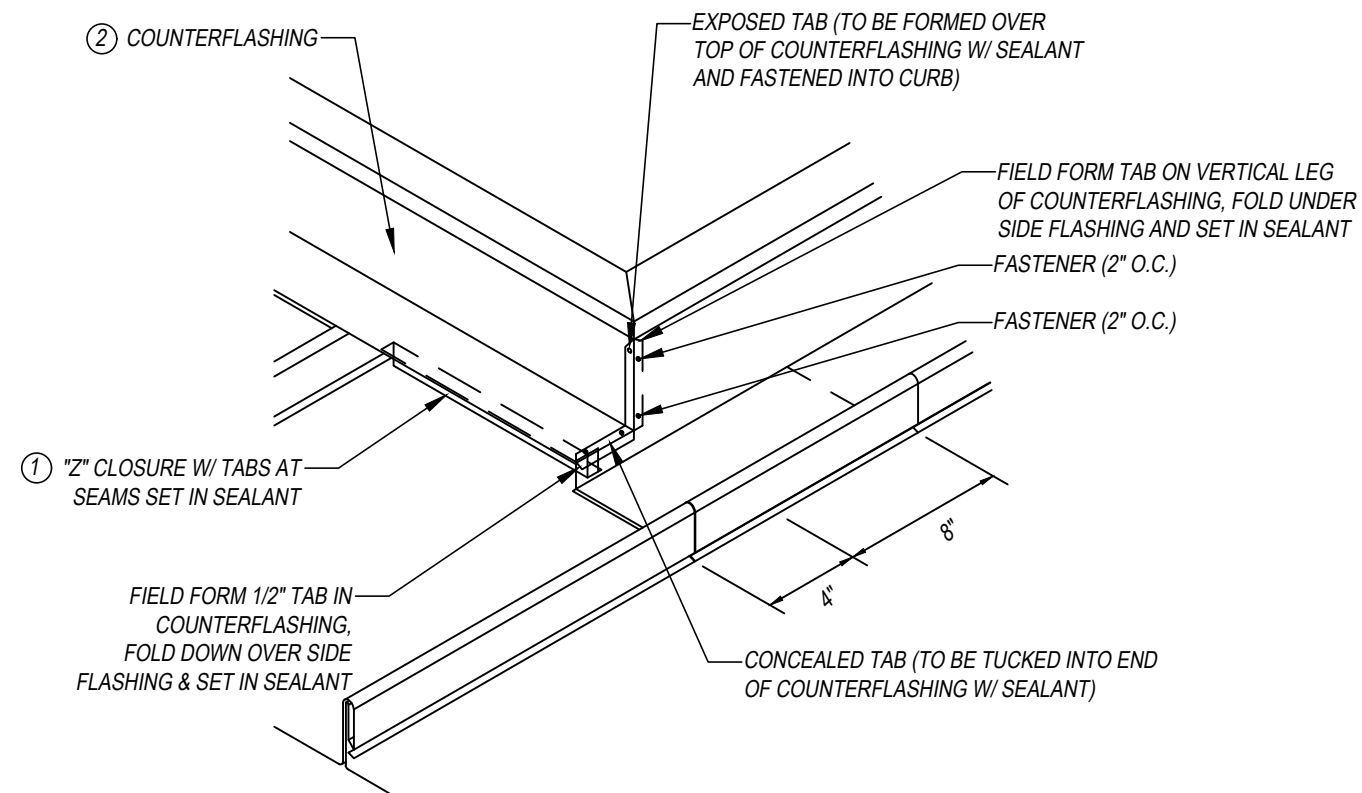
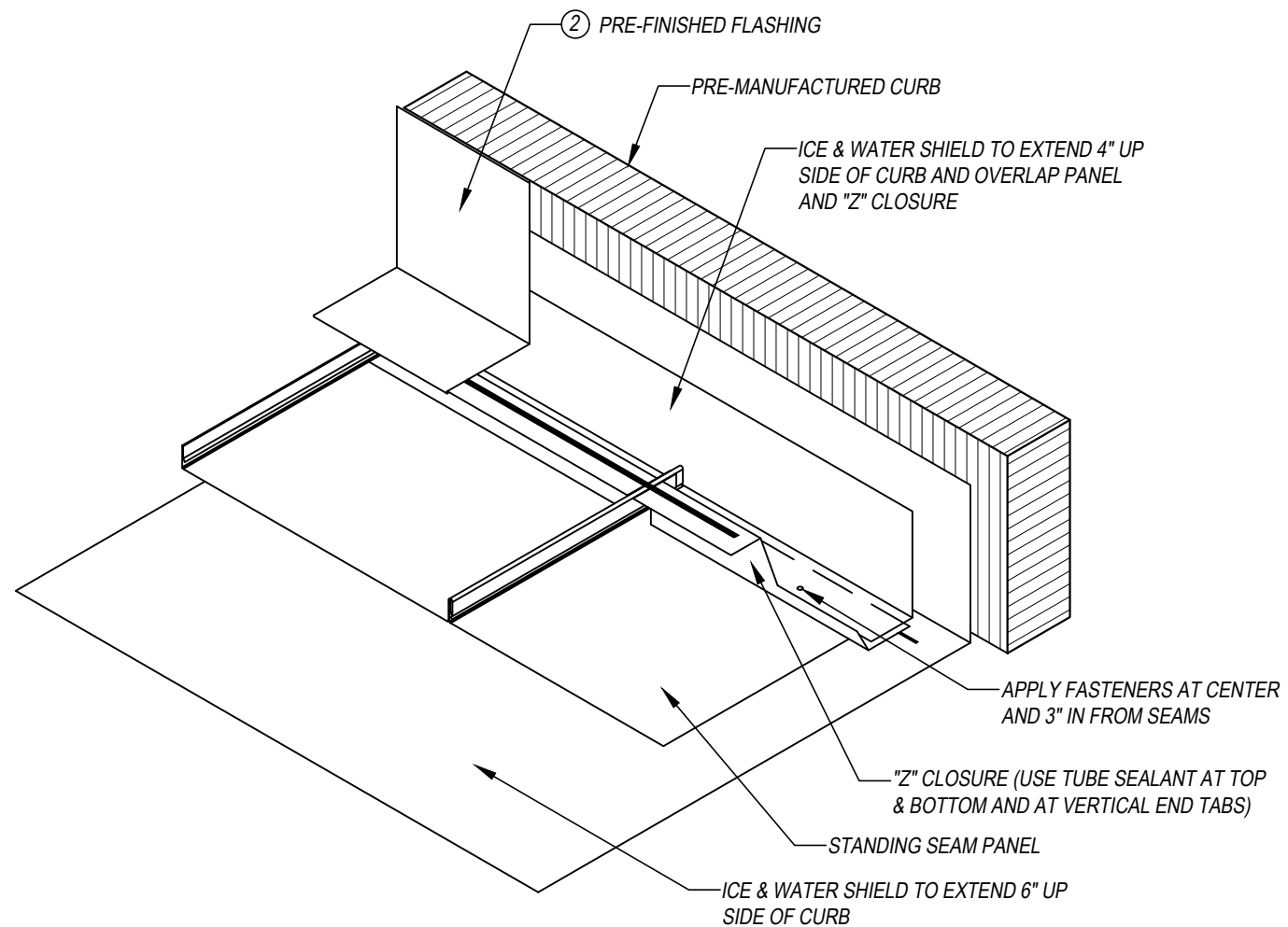


01 SECTION DETAIL
N.T.S.



02 ISOMETRIC VIEW OF CORNER FLASHING
N.T.S.



03 ISOMETRIC VIEW OF PANEL & "Z" CLOSURE
N.T.S.

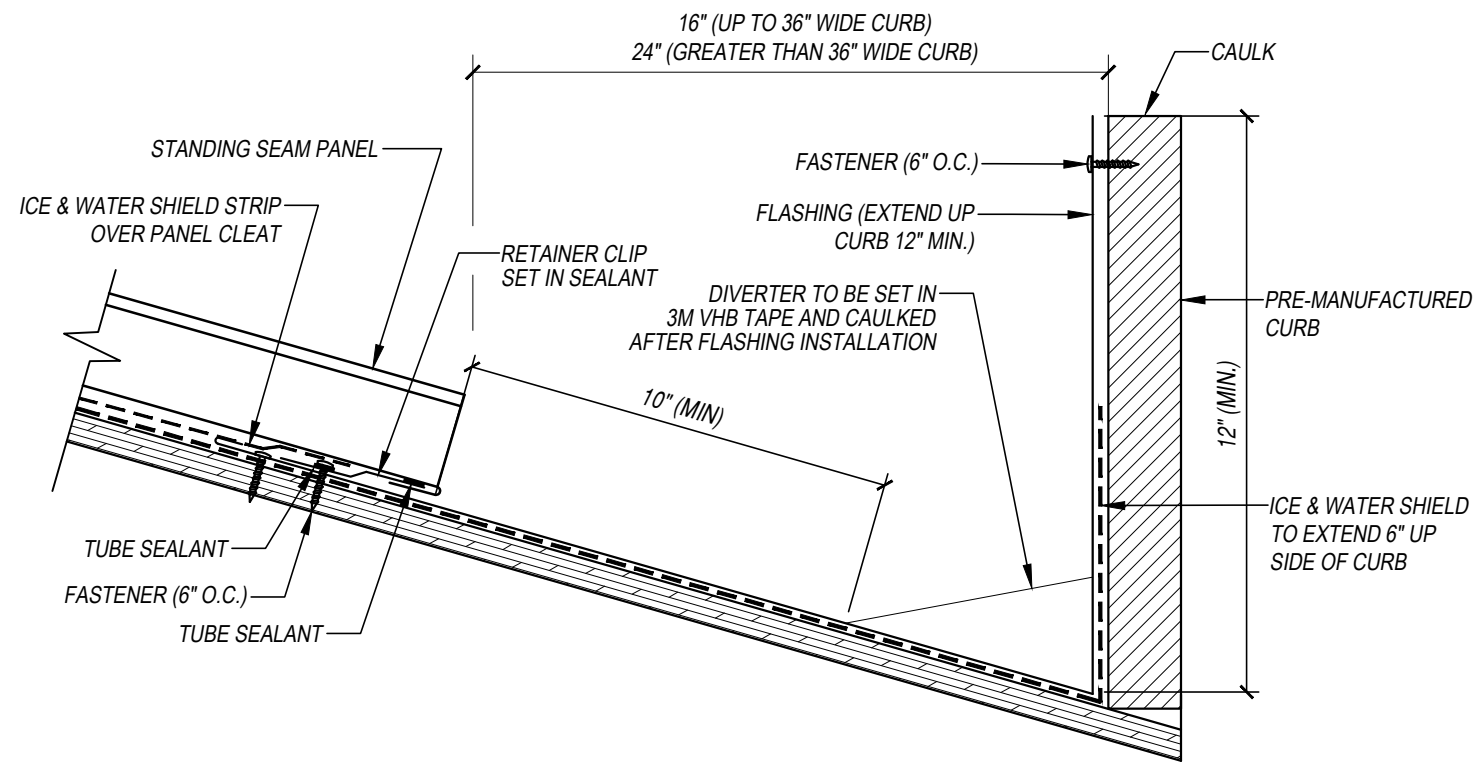
NOTES / LEGEND

ALL FASTENERS DRILLED THROUGH ALUMINUM MUST BE STAINLESS STEEL.

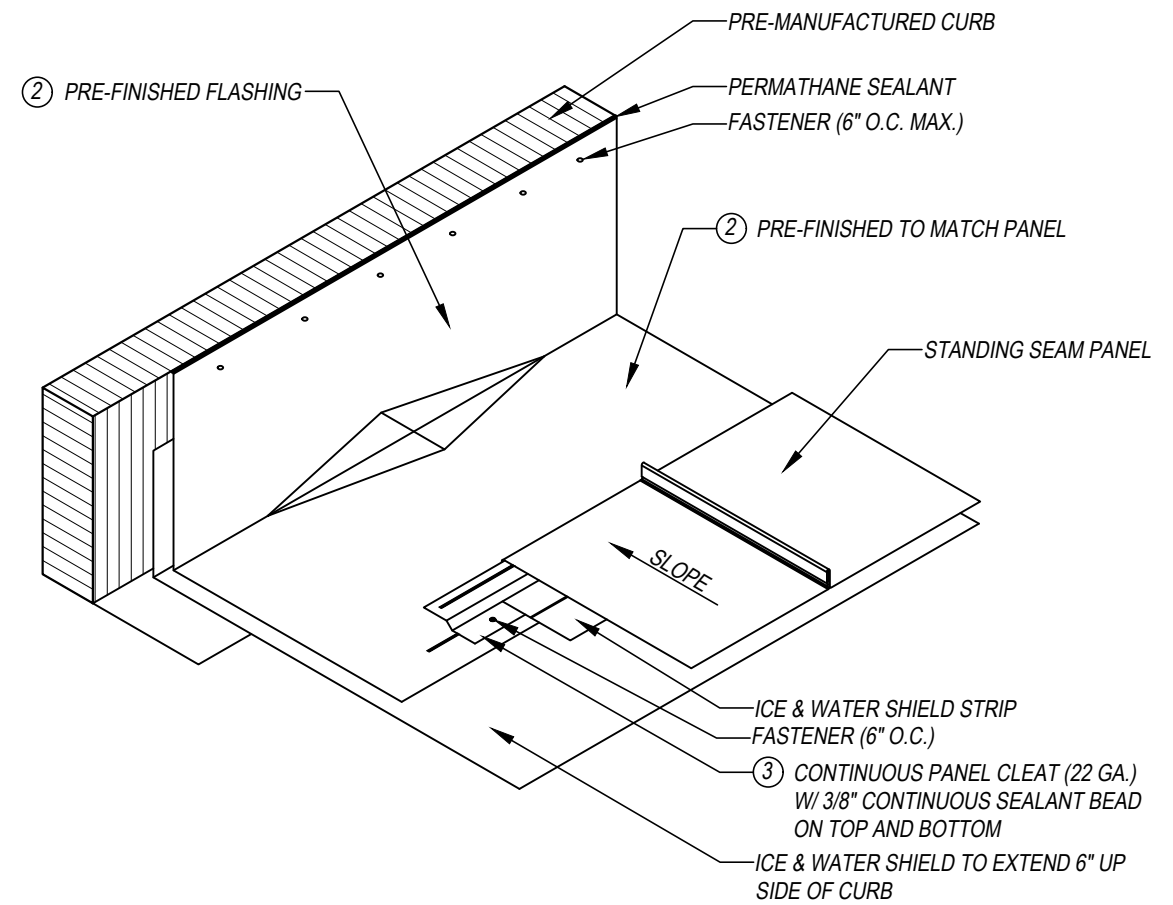
① 4 FASTENERS PER PANEL IF PANEL WIDTH < 18"
6 FASTENERS PER PANEL IF PANEL WIDTH = 18"

② FLASHING MATERIAL TO MATCH ROOF PANEL MATERIAL.

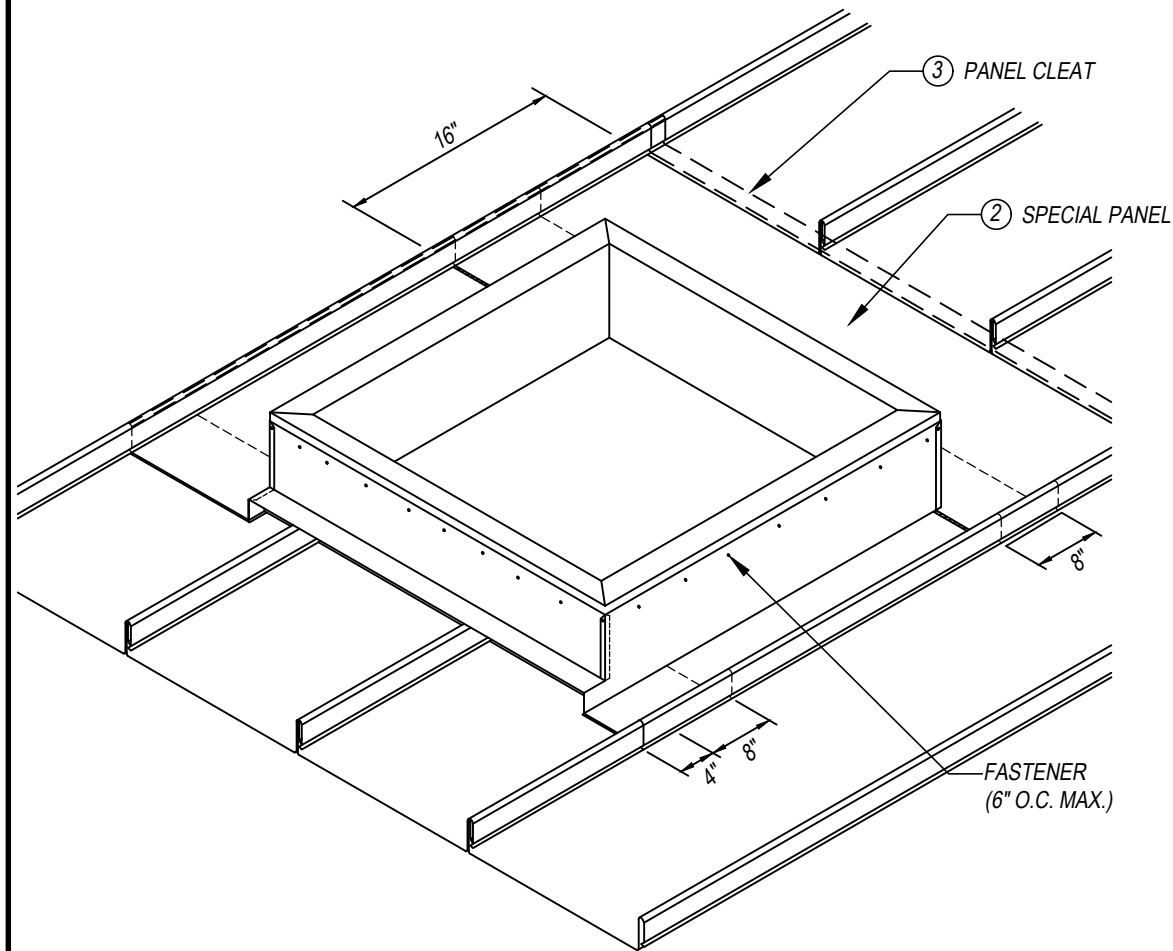
③ MUST BE STAINLESS STEEL IF ROOF PANEL IS ALUMINUM.



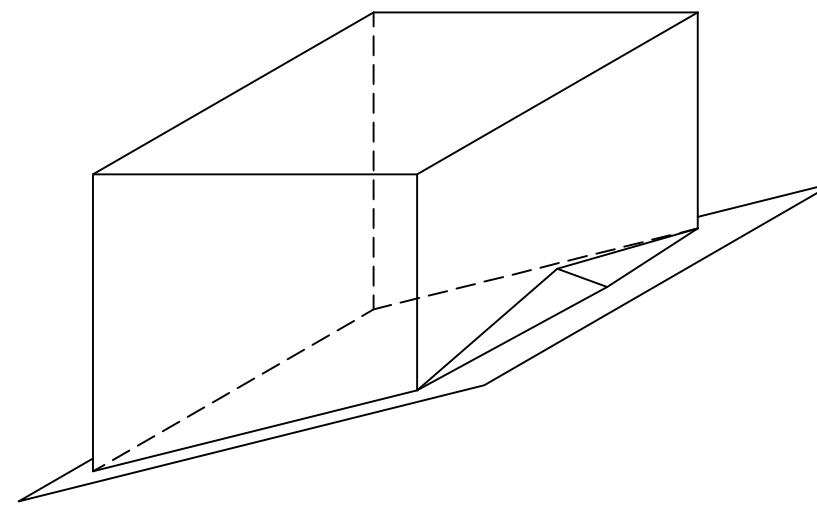
01 SECTION DETAIL
N.T.S.



02 ISOMETRIC VIEW OF FLASHING
N.T.S.



03 ISOMETRIC VIEW OF CURB WALL FLASHING
N.T.S.



04 ISOMETRIC VIEW OF CURB
N.T.S.

NOTES / LEGEND

ALL FASTENERS DRILLED THROUGH ALUMINUM MUST BE STAINLESS STEEL.

① 4 FASTENERS PER PANEL IF PANEL WIDTH < 18"
6 FASTENERS PER PANEL IF PANEL WIDTH = 18"

② FLASHING MATERIAL TO MATCH ROOF PANEL MATERIAL.

③ MUST BE STAINLESS STEEL IF ROOF PANEL IS ALUMINUM.

**ROOF CURB
DETAILS
(HIGH SIDE)**

DATE: 03/15/2022

D2