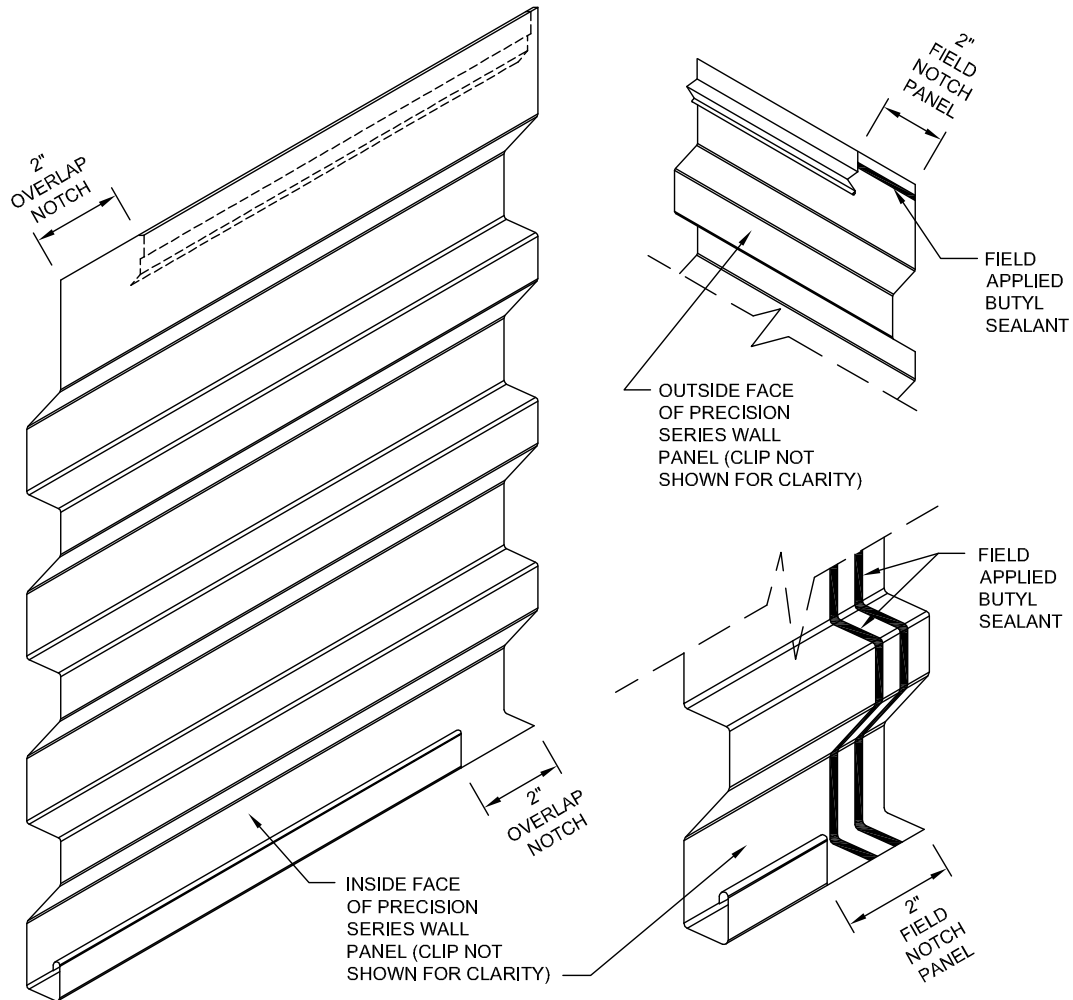


**NOTES:**

- This detail drawing applies to PAC-CLAD Precision Series HWP and Highline.
- Panel dimensions that might appear on this document apply to HWP only.
- Consult PAC rep for assistance.



JOB NAME	NOTES
DATE	
CONTRACTOR	