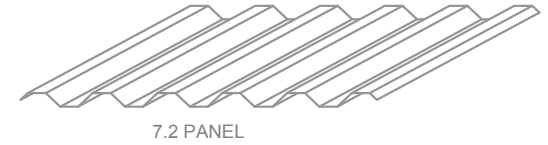


7.2 PANEL - OPEN FRAMING SUBSTRATE DETAILS PANEL OVERLAP

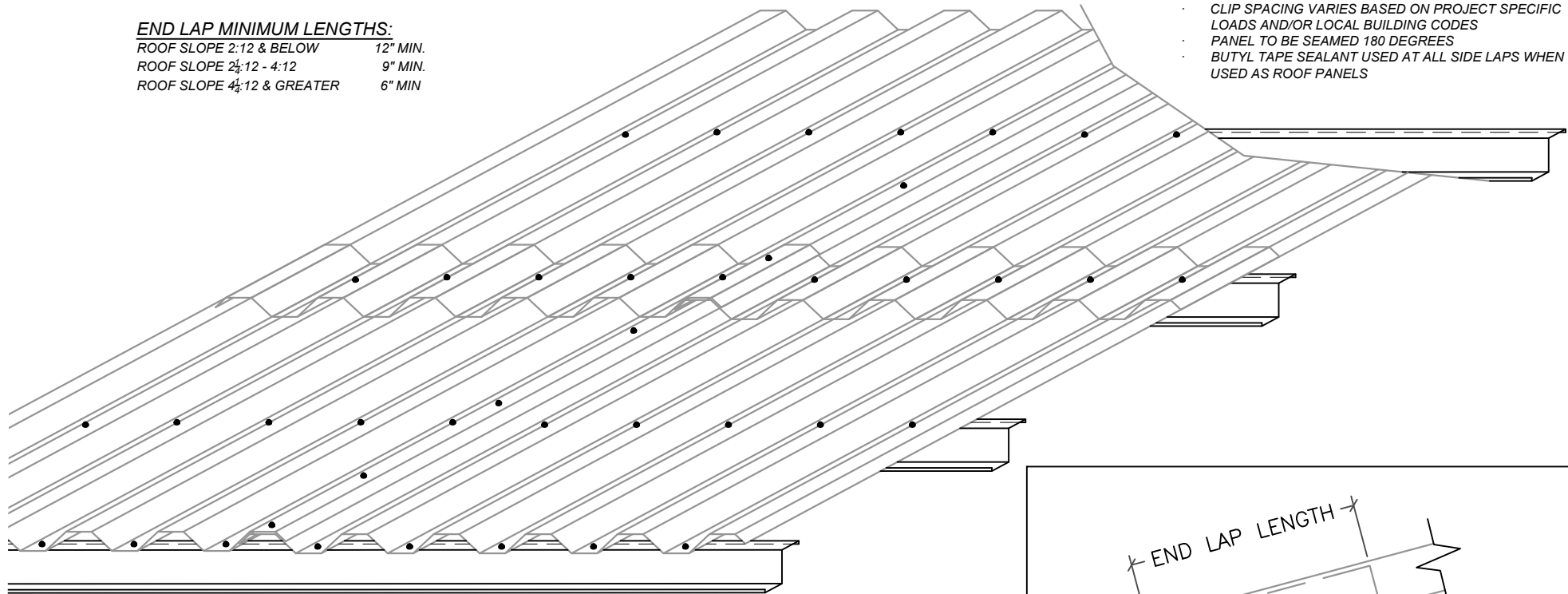


END LAP MINIMUM LENGTHS:

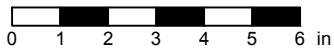
ROOF SLOPE 2:12 & BELOW	12" MIN.
ROOF SLOPE 2½:12 - 4:12	9" MIN.
ROOF SLOPE 4½:12 & GREATER	6" MIN.

KEYNOTES:

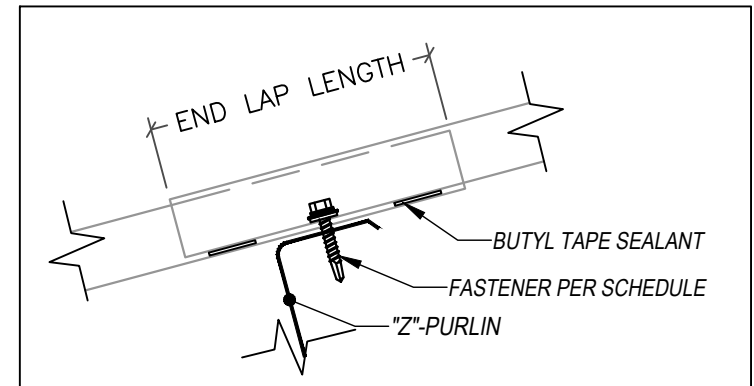
- CLIP FASTENERS MUST PENETRATE TOP FLANGE OF "Z" PURLIN SUBSTRATE BY 5/8" MINIMUM THREAD LENGTH
- CLIP SPACING VARIES BASED ON PROJECT SPECIFIC LOADS AND/OR LOCAL BUILDING CODES
- PANEL TO BE SEAMED 180 DEGREES
- BUTYL TAPE SEALANT USED AT ALL SIDE LAPS WHEN USED AS ROOF PANELS



SCALE: 3" = 1'-0"



EFFECTIVE DATE: 01-03-2023
SUBJECT TO CHANGE WITHOUT NOTICE



DISCLAIMER: DETAIL SHOWN FOR ILLUSTRATION PURPOSES ONLY. ACTUAL PROJECT DETAIL MAY VARY