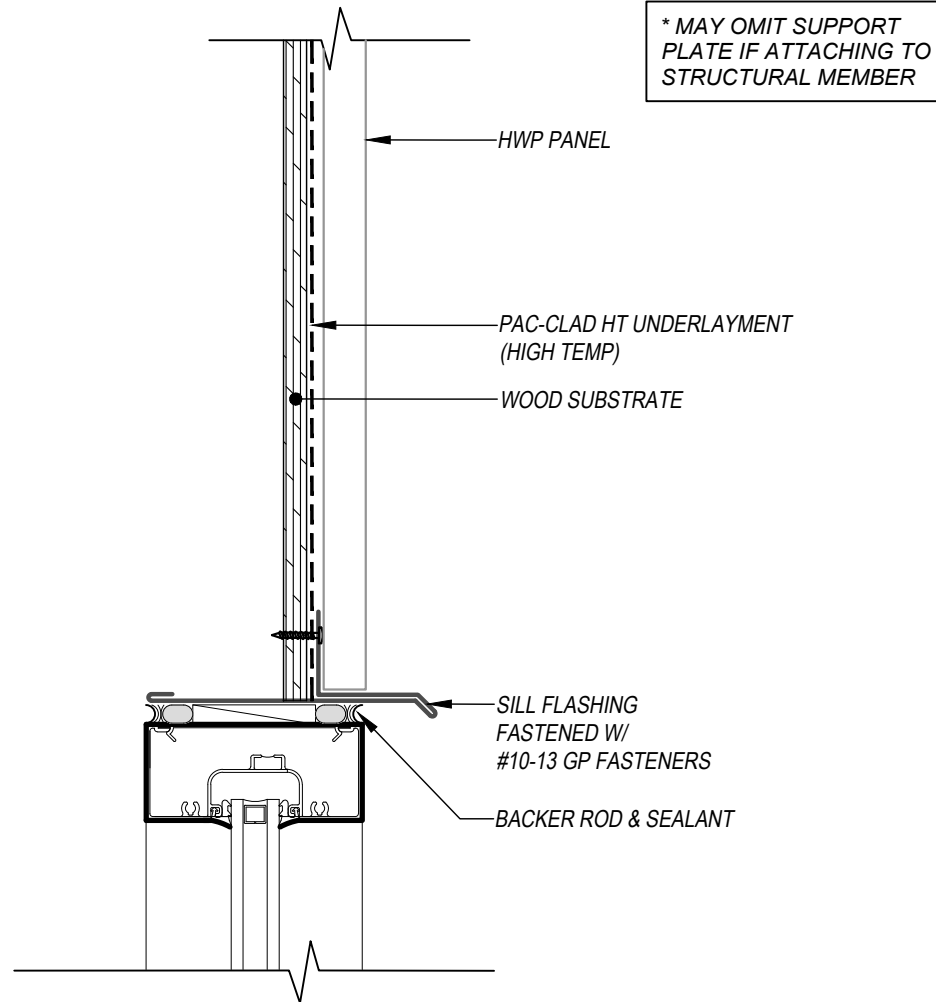


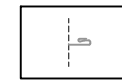
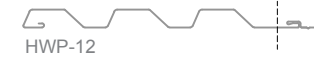
PRECISION SERIES - HWP - WOOD
WINDOW HEAD DETAIL
VERTICAL APPLICATION



PRECISION SERIES - HWP



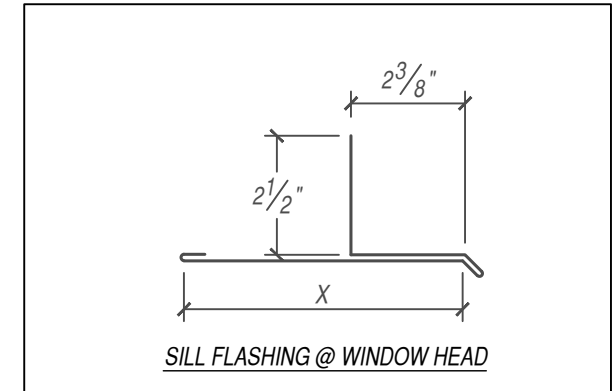
THIS DETAIL DRAWING IS APPLICABLE TO ALL BOX RIB SERIES WALL PANEL PROFILES



CONCEALED CLIP END

KEYNOTES:

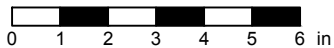
- TRIM FASTENERS ARE SELF-DRILL PANCAKE HEAD AND MUST BE INSTALLED IN A STAGGERED PATTERN
- FASTENERS MUST PENETRATE STEEL SUBSTRATE BY 5/8" MINIMUM THREAD LENGTH



FLASHINGS

DISCLAIMER: DETAIL SHOWN FOR ILLUSTRATION PURPOSES ONLY. ACTUAL PROJECT DETAIL MAY VARY

SCALE: 3" = 1'-0"



EFFECTIVE DATE: 01-03-2023
SUBJECT TO CHANGE WITHOUT NOTICE