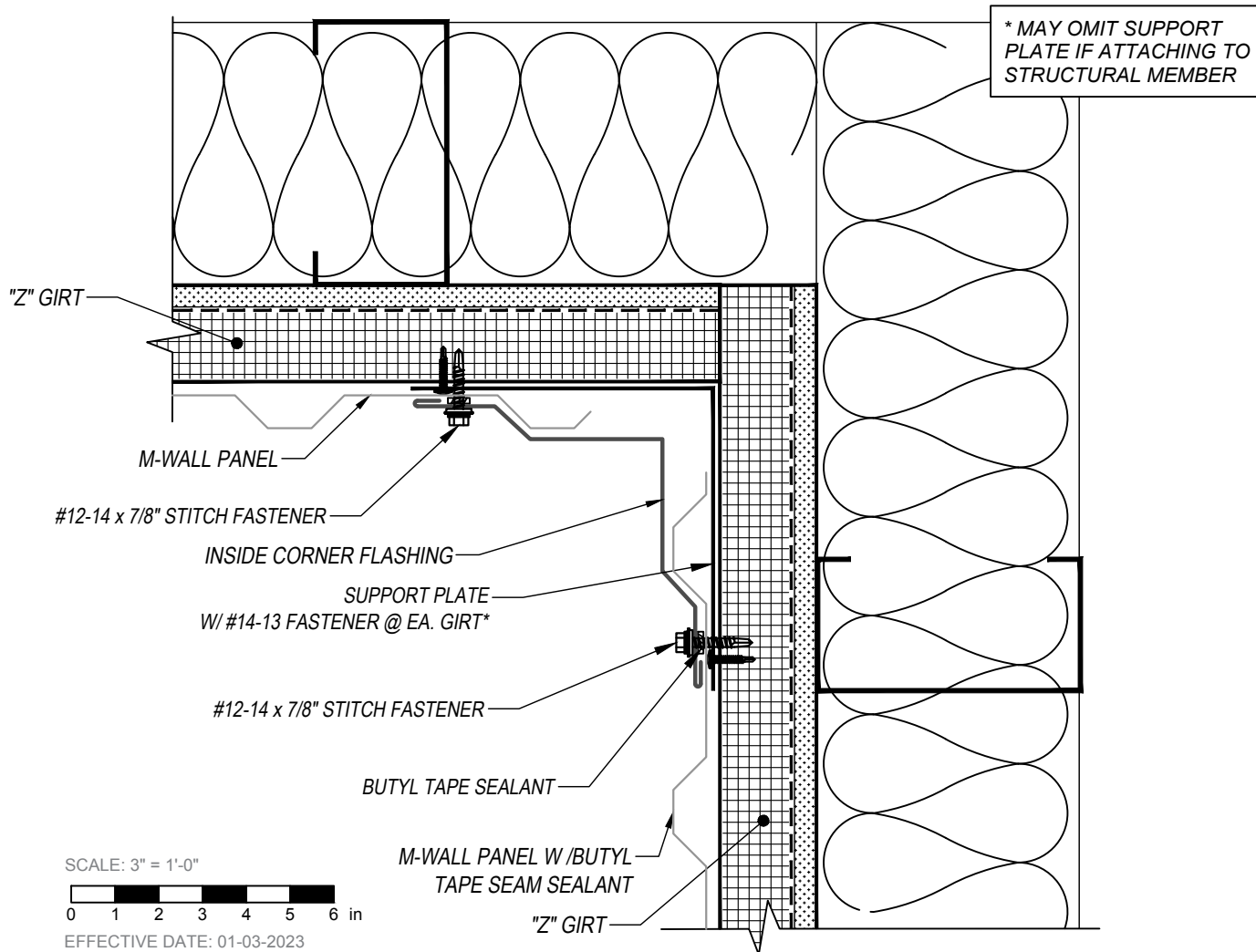
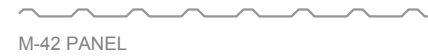


M-PANEL - Z-GIRT  
**INSIDE CORNER DETAIL**  
VERTICAL APPLICATION



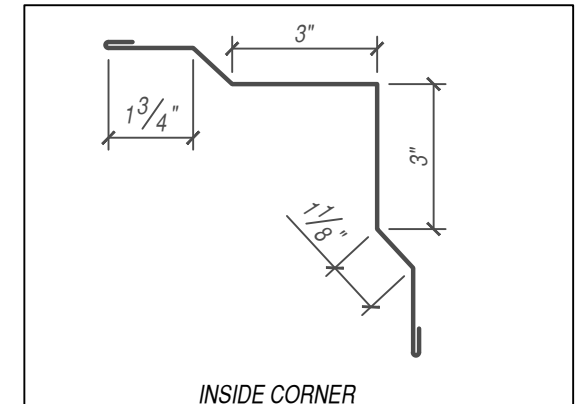
**\* MAY OMIT SUPPORT PLATE IF ATTACHING TO STRUCTURAL MEMBER**

THIS DETAIL DRAWING IS APPLICABLE TO ALL M-PANEL SERIES ROOF PANEL PROFILES

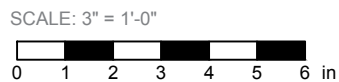


**KEYNOTES:**

- FASTENERS MUST PENETRATE TOP FLANGE OF "Z" GIRT SUBSTRATE BY 5/8" MINIMUM THREAD LENGTH
- CLIP SPACING VARIES BASED ON PROJECT SPECIFIC LOADS AND/OR LOCAL BUILDING CODES



**INSIDE CORNER FLASHINGS**



EFFECTIVE DATE: 01-03-2023  
SUBJECT TO CHANGE WITHOUT NOTICE

DISCLAIMER: DETAIL SHOWN FOR ILLUSTRATION PURPOSES ONLY. ACTUAL PROJECT DETAIL MAY VARY