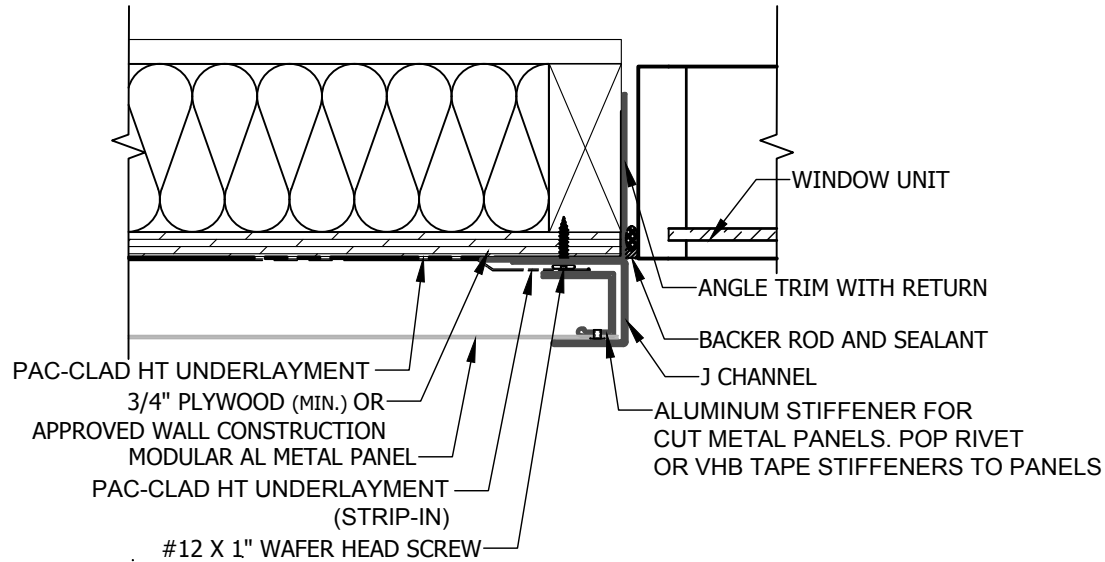
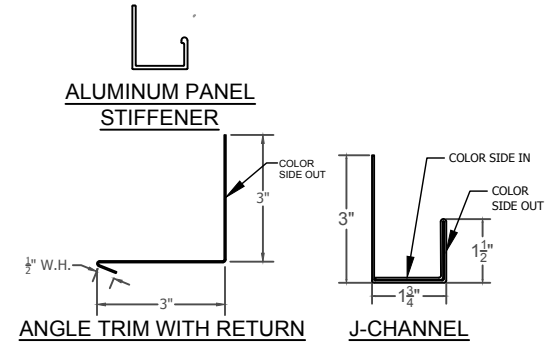


COMPOSITE WALL - MODULAR AL - WOOD SUBSTRATE DETAILS

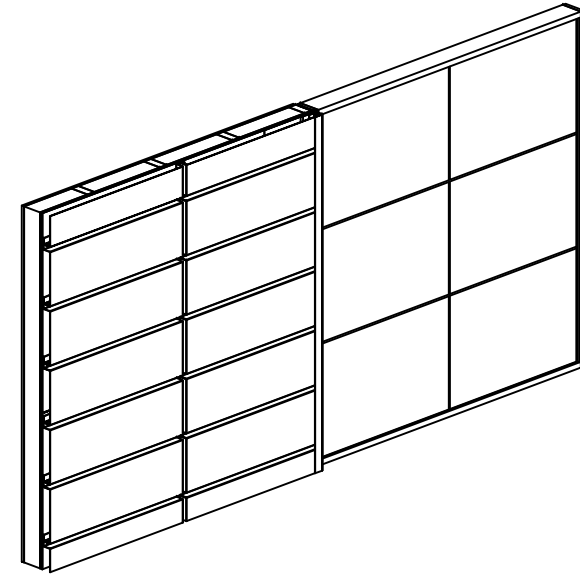
JAMB DETAIL



ACCESSORIES



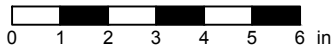
ISOMETRIC



KEYNOTES:

- SHIMS ARE NOT REQUIRED FOR METAL PANELS UNLESS THERE ARE IMPERFECTIONS IN WALL CONSTRUCTION
- IF IMPERFECTIONS, USE HIGH IMPACT PLASTIC SHIMS. (STANDARD WALL CONSTRUCTION DEVIATION IS LESS THAN 1/4" IN 20'-0" IN ALL DIRECTIONS).

SCALE: 3" = 1'-0"



EFFECTIVE DATE: 01-03-2023

SUBJECT TO CHANGE WITHOUT NOTICE

DISCLAIMER: DETAIL SHOWN FOR ILLUSTRATION PURPOSES ONLY. ACTUAL PROJECT DETAIL MAY VARY