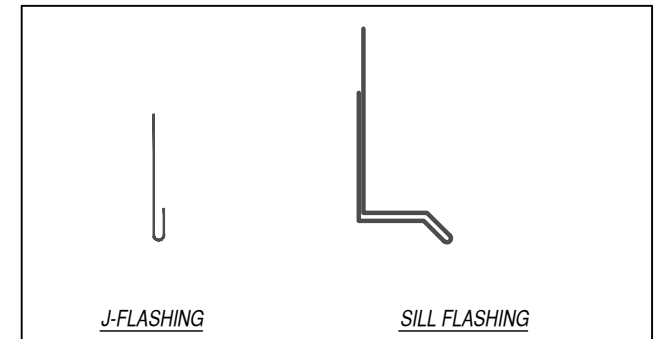
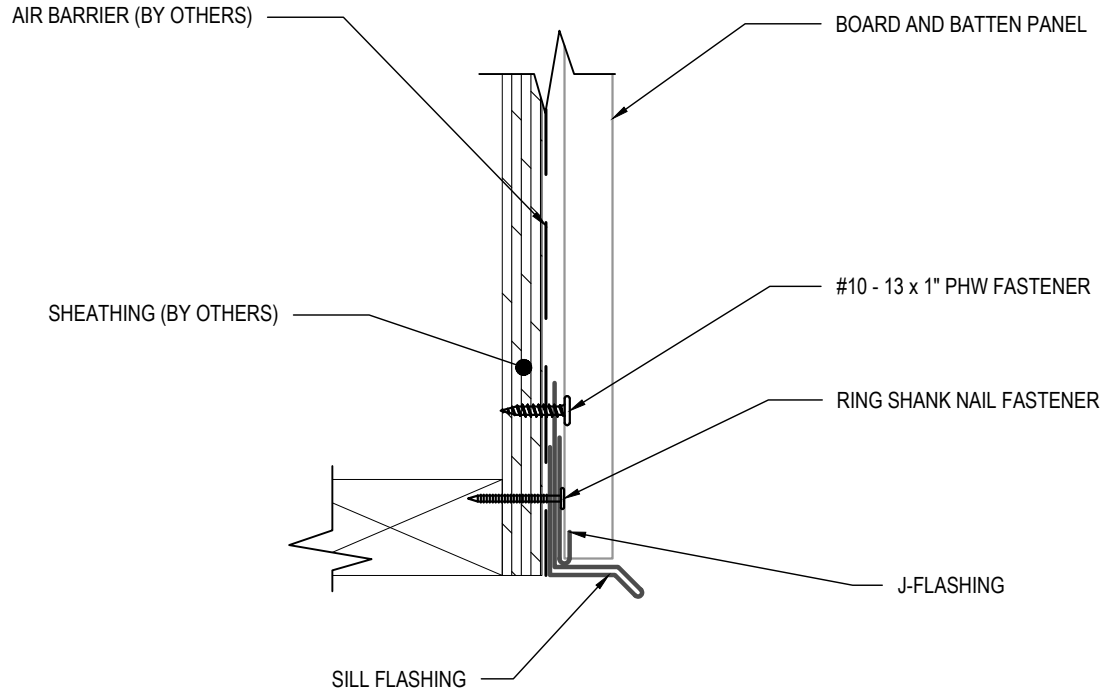


BOARD AND BATTEN - WOOD SUBSTRATE DETAILS
BASE SILL OPTION 1 DETAIL
VERTICAL APPLICATION

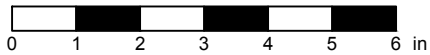


KEYNOTES:

- FASTENERS MUST PENETRATE WOOD SUBSTRATE BY 5/8" MINIMUM THREAD LENGTH
- FASTENER SPACING VARIES BASED ON PROJECT SPECIFIC LOADS AND/OR LOCAL BUILDING CODES
- THIS DETAIL DRAWING IS APPLICABLE TO ALL BOARD AND BATTEN WALL PANEL WIDTHS



SCALE: 4" = 1'-0"



EFFECTIVE DATE: 01-01-2023
SUBJECT TO CHANGE WITHOUT NOTICE

DISCLAIMER: DETAIL SHOWN FOR ILLUSTRATION PURPOSES ONLY. ACTUAL PROJECT DETAIL MAY VARY