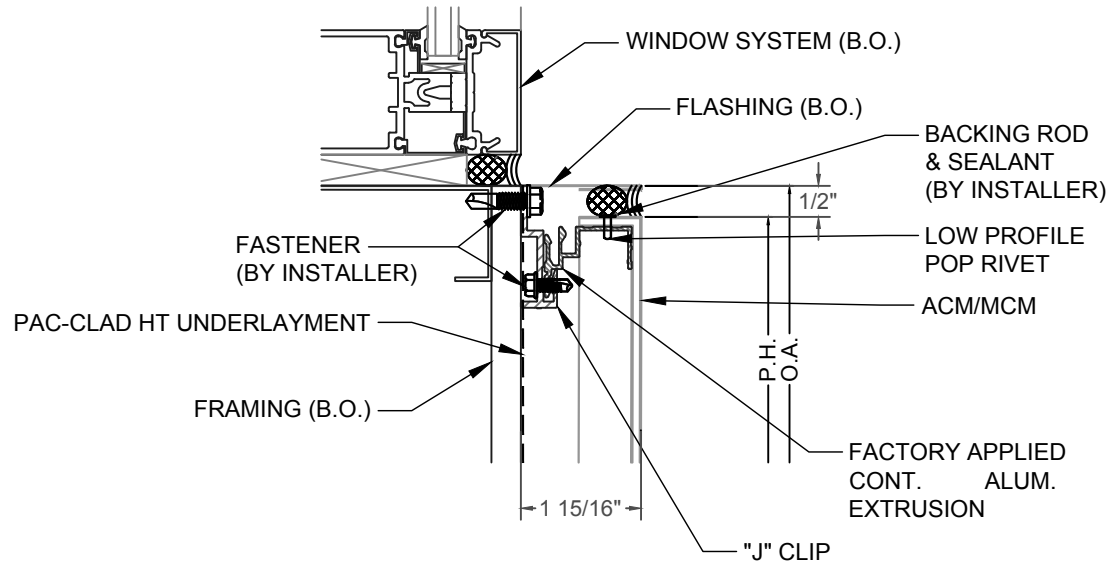


COMPOSITE WALL - PAC-3000 RS - WOOD SUBSTRATE DETAILS
WINDOW SILL CONDITION



SCALE: 4" = 1'-0"



EFFECTIVE DATE: 01-03-2023
SUBJECT TO CHANGE WITHOUT NOTICE

DISCLAIMER: DETAIL SHOWN FOR ILLUSTRATION PURPOSES ONLY. ACTUAL PROJECT DETAIL MAY VARY