

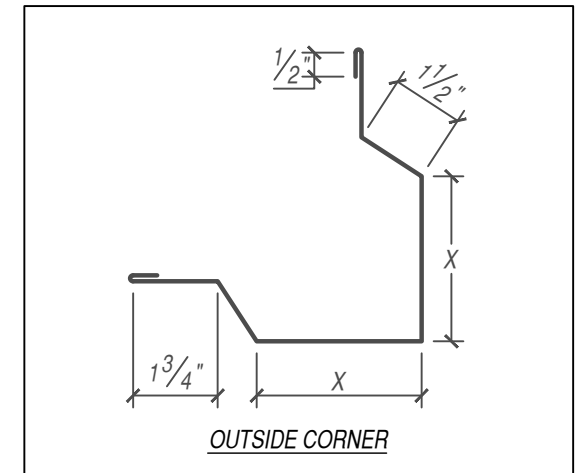
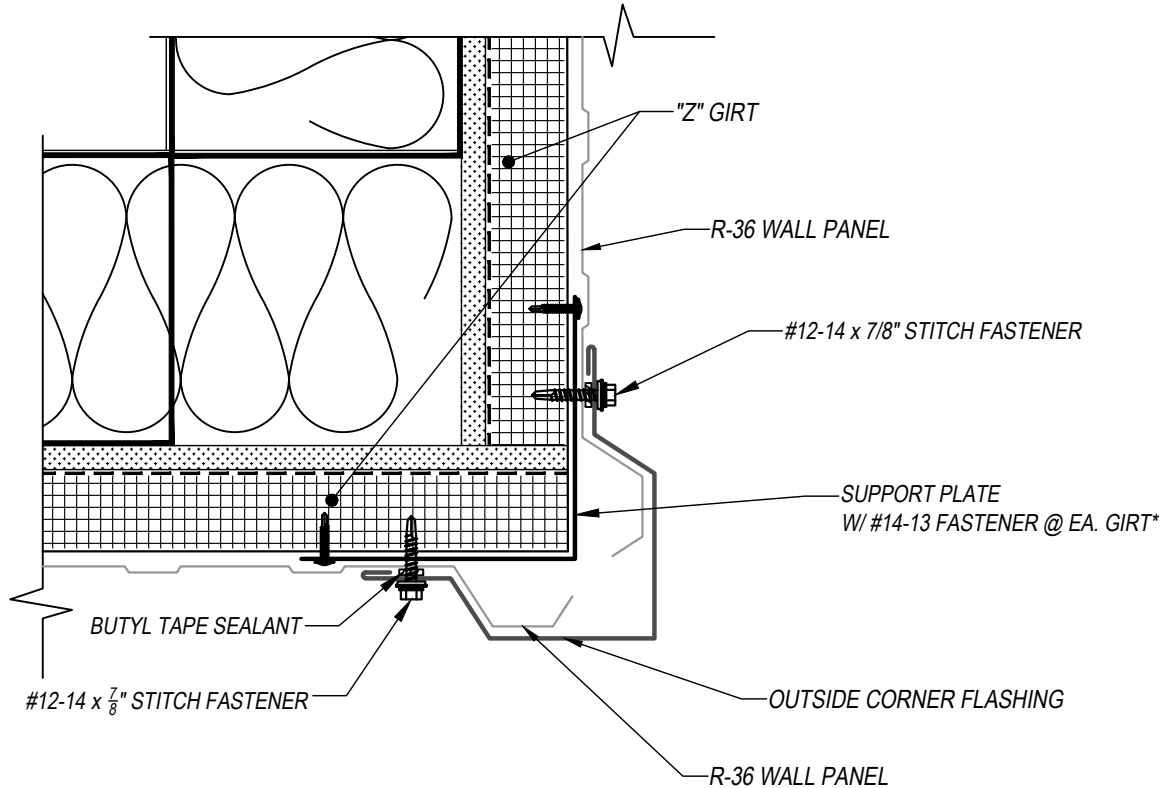
R-36 PANEL - Z-GIRT
OUTSIDE CORNER DETAIL
VERTICAL APPLICATION



*** MAY OMIT SUPPORT PLATE IF ATTACHING TO STRUCTURAL MEMBER**

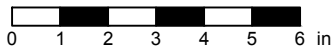
KEYNOTES:

- FASTENERS MUST PENETRATE TOP FLANGE OF "Z" GIRTS SUBSTRATE BY 5/8" MINIMUM THREAD LENGTH
- CLIP SPACING VARIES BASED ON PROJECT SPECIFIC LOADS AND/OR LOCAL BUILDING CODES



FLASHINGS

SCALE: 3" = 1'-0"



EFFECTIVE DATE: 01-03-2023
SUBJECT TO CHANGE WITHOUT NOTICE

DISCLAIMER: DETAIL SHOWN FOR ILLUSTRATION PURPOSES ONLY. ACTUAL PROJECT DETAIL MAY VARY