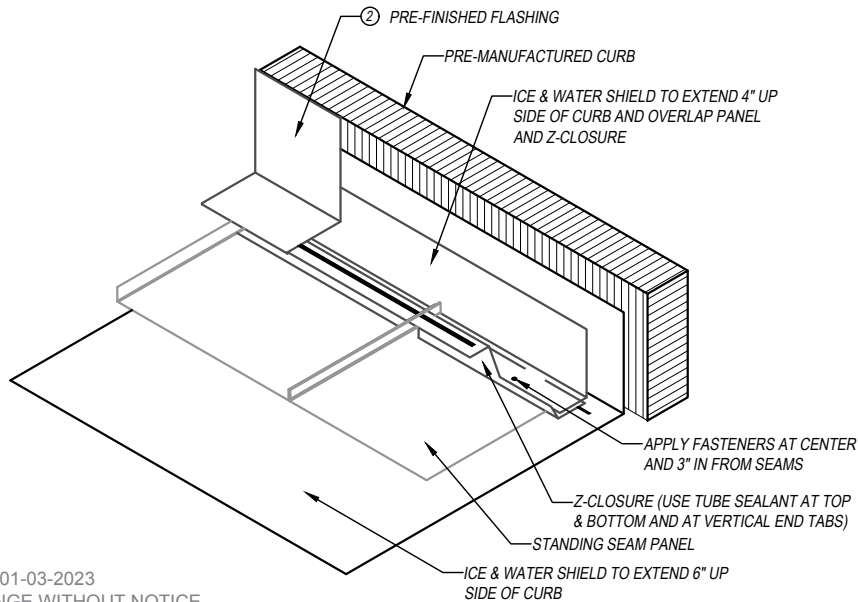
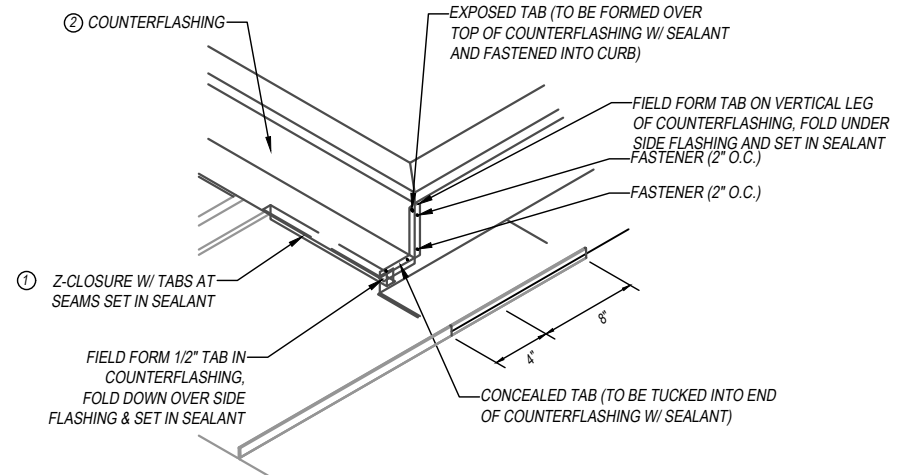
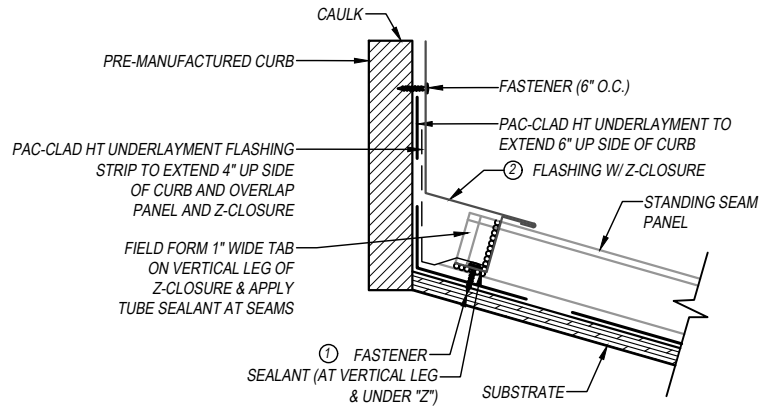


# SNAP-ON BATTEN - WOOD SUBSTRATE DETAILS

## CURB - 1 of 2



### NOTES / LEGEND

ALL FASTENERS DRILLED THROUGH ALUMINUM MUST BE STAINLESS STEEL.

- ① 4 FASTENERS PER PANEL IF PANEL WIDTH < 18"  
6 FASTENERS PER PANEL IF PANEL WIDTH = 18"
- ② FLASHING MATERIAL TO MATCH ROOF PANEL MATERIAL.
- ③ MUST BE STAINLESS STEEL IF ROOF PANEL IS ALUMINUM.

### KEYNOTES:

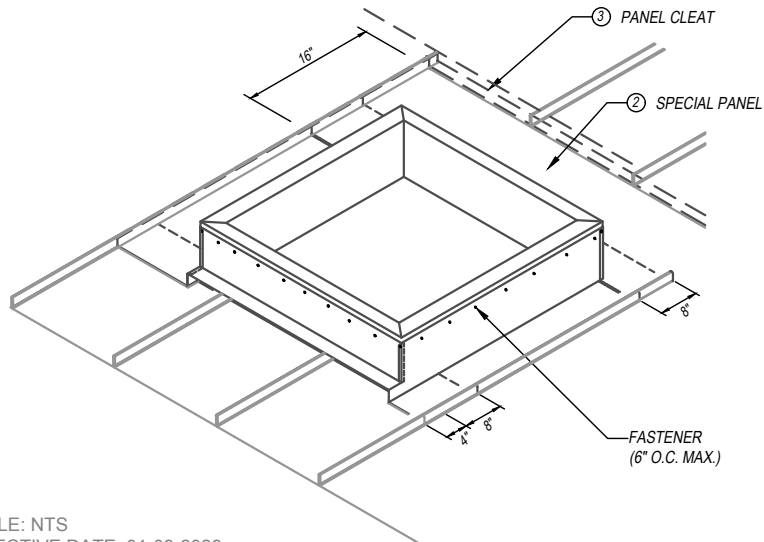
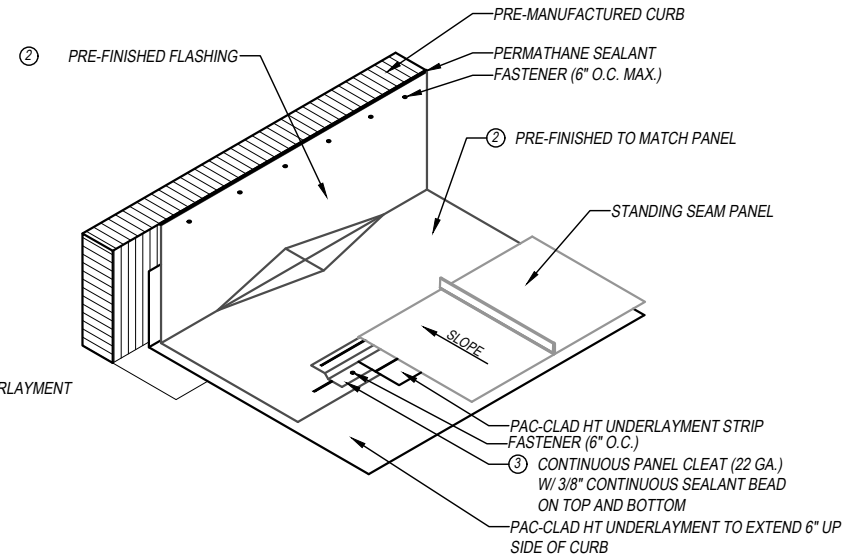
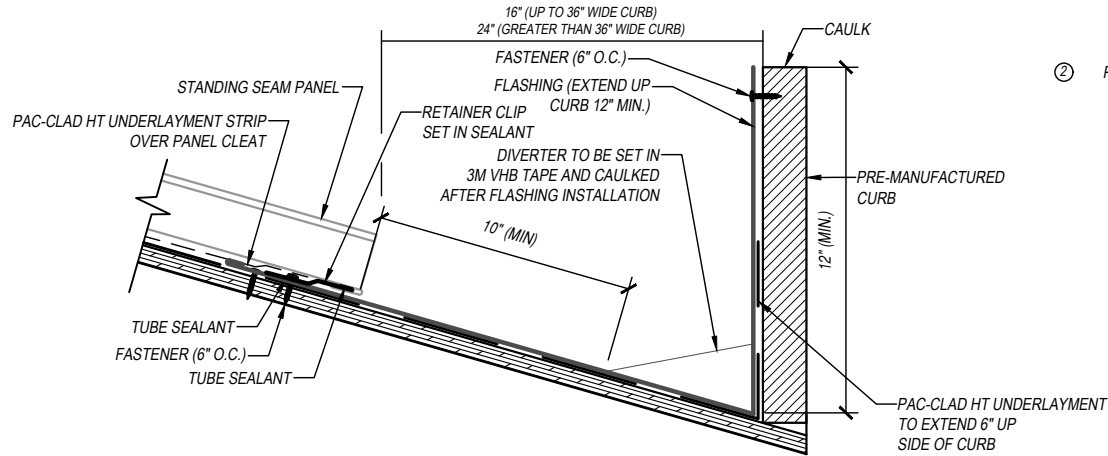
- TRIM FASTENERS ARE SELF-DRILL PANCAKE HEAD AND MUST BE INSTALLED IN A STAGGERED PATTERN
- CLIP FASTENERS MUST PENETRATE WOOD SUBSTRATE BY 5/8" MINIMUM THREAD LENGTH

SCALE: NTS  
EFFECTIVE DATE: 01-03-2023  
SUBJECT TO CHANGE WITHOUT NOTICE

DISCLAIMER: DETAIL SHOWN FOR ILLUSTRATION PURPOSES ONLY. ACTUAL PROJECT DETAIL MAY VARY

# SNAP-ON BATTEN - WOOD SUBSTRATE DETAILS

## CURB - 2 of 2



### NOTES / LEGEND

ALL FASTENERS DRILLED THROUGH ALUMINUM MUST BE STAINLESS STEEL.

- ① 4 FASTENERS PER PANEL IF PANEL WIDTH < 18"  
6 FASTENERS PER PANEL IF PANEL WIDTH = 18"
- ② FLASHING MATERIAL TO MATCH ROOF PANEL MATERIAL.
- ③ MUST BE STAINLESS STEEL IF ROOF PANEL IS ALUMINUM.

### KEYNOTES:

- TRIM FASTENERS ARE SELF-DRILL PANCAKE HEAD AND MUST BE INSTALLED IN A STAGGERED PATTERN
- CLIP FASTENERS MUST PENETRATE WOOD SUBSTRATE BY 5/8" MINIMUM THREAD LENGTH

SCALE: NTS  
EFFECTIVE DATE: 01-03-2023  
SUBJECT TO CHANGE WITHOUT NOTICE

DISCLAIMER: DETAIL SHOWN FOR ILLUSTRATION PURPOSES ONLY. ACTUAL PROJECT DETAIL MAY VARY