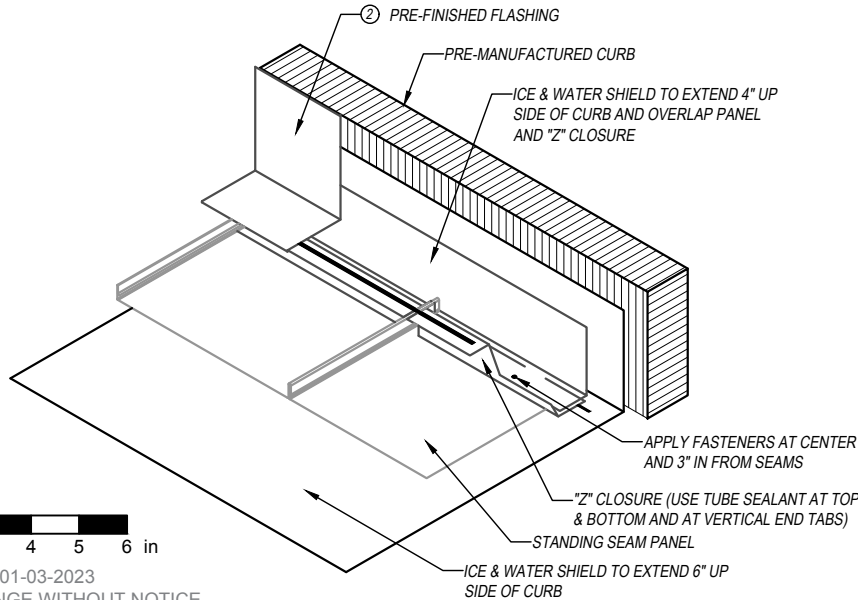
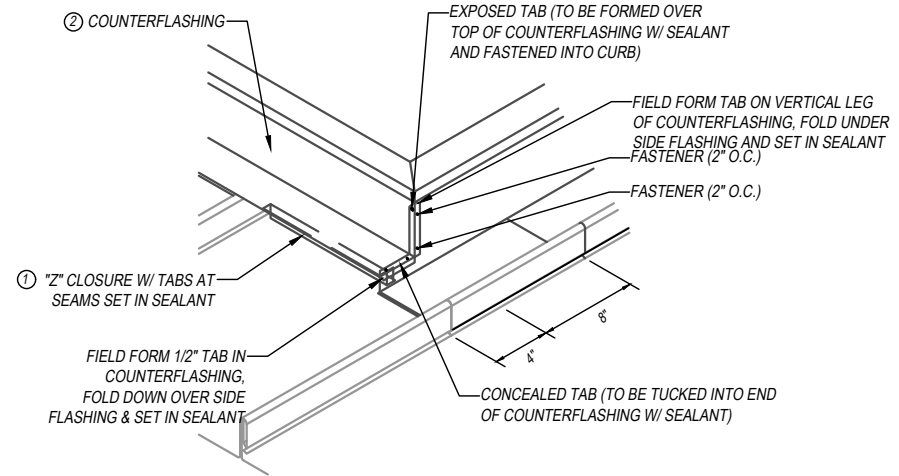
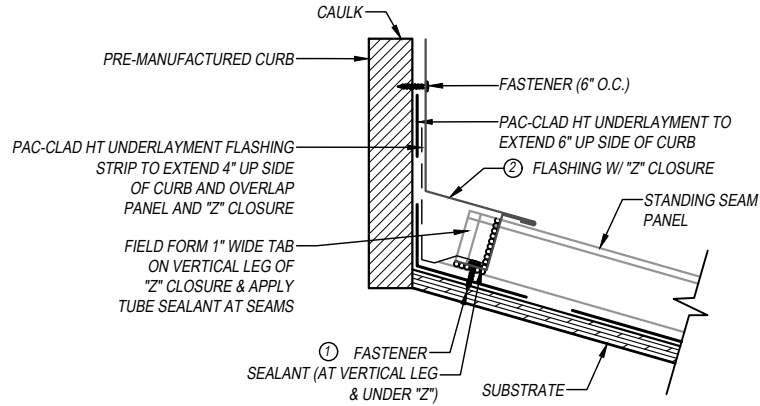
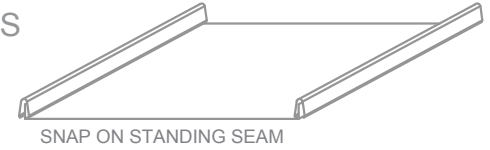


SNAP-ON STANDING SEAM - WOOD SUBSTRATE DETAILS

CURB - 1 of 2



NOTES / LEGEND

ALL FASTENERS DRILLED THROUGH ALUMINUM MUST BE STAINLESS STEEL.

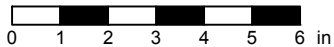
- ① 4 FASTENERS PER PANEL IF PANEL WIDTH < 18"
6 FASTENERS PER PANEL IF PANEL WIDTH = 18"
- ② FLASHING MATERIAL TO MATCH ROOF PANEL MATERIAL.
- ③ MUST BE STAINLESS STEEL IF ROOF PANEL IS ALUMINUM.

KEYNOTES:

- TRIM FASTENERS ARE SELF-DRILL PANCAKE HEAD AND MUST BE INSTALLED IN A STAGGERED PATTERN
- CLIP FASTENERS MUST PENETRATE WOOD SUBSTRATE BY 5/8" MINIMUM THREAD LENGTH

DISCLAIMER: DETAIL SHOWN FOR ILLUSTRATION PURPOSES ONLY. ACTUAL PROJECT DETAIL MAY VARY

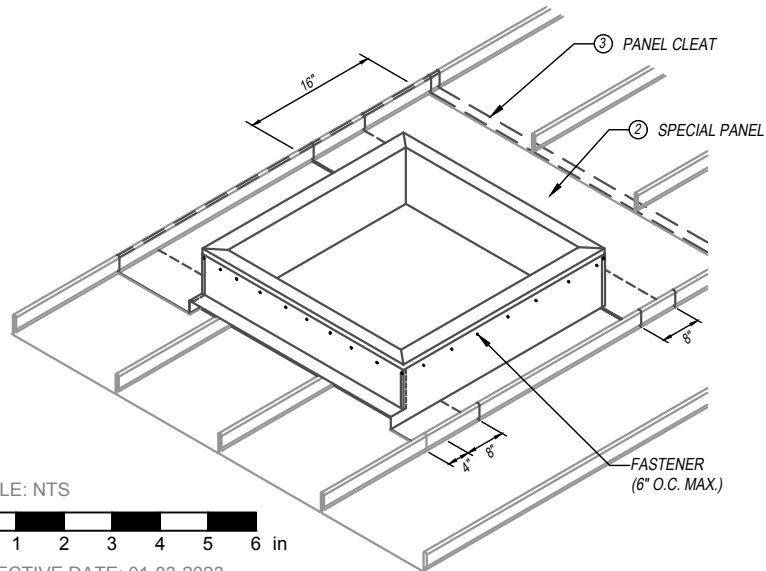
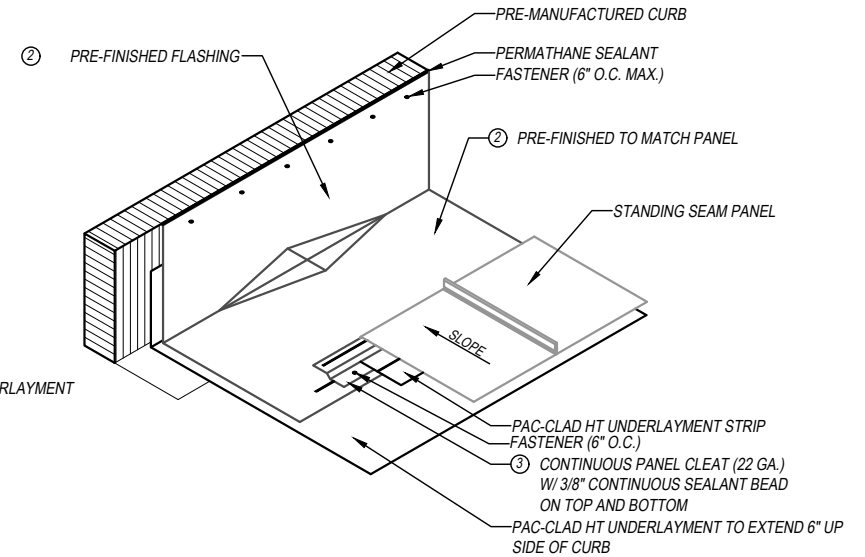
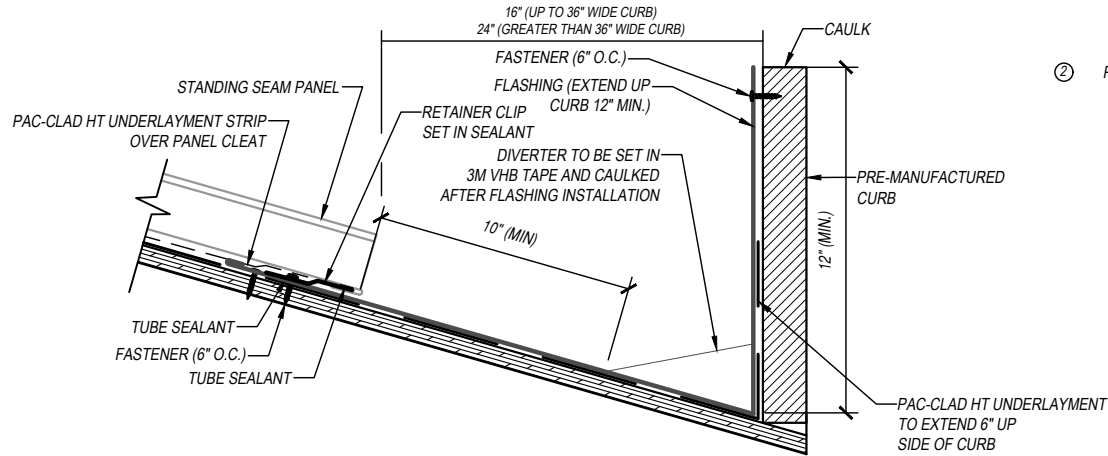
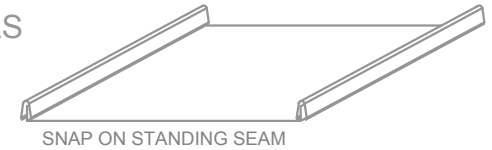
SCALE: NTS



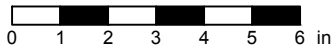
EFFECTIVE DATE: 01-03-2023
SUBJECT TO CHANGE WITHOUT NOTICE

SNAP-ON STANDING SEAM - WOOD SUBSTRATE DETAILS

CURB - 2 of 2



SCALE: NTS



EFFECTIVE DATE: 01-03-2023
SUBJECT TO CHANGE WITHOUT NOTICE

NOTES / LEGEND

ALL FASTENERS DRILLED THROUGH ALUMINUM MUST BE STAINLESS STEEL.

- ① 4 FASTENERS PER PANEL IF PANEL WIDTH < 18"
6 FASTENERS PER PANEL IF PANEL WIDTH = 18"
- ② FLASHING MATERIAL TO MATCH ROOF PANEL MATERIAL.
- ③ MUST BE STAINLESS STEEL IF ROOF PANEL IS ALUMINUM.

KEYNOTES:

- TRIM FASTENERS ARE SELF-DRILL PANCAKE HEAD AND MUST BE INSTALLED IN A STAGGERED PATTERN
- CLIP FASTENERS MUST PENETRATE WOOD SUBSTRATE BY 5/8" MINIMUM THREAD LENGTH

DISCLAIMER: DETAIL SHOWN FOR ILLUSTRATION PURPOSES ONLY. ACTUAL PROJECT DETAIL MAY VARY