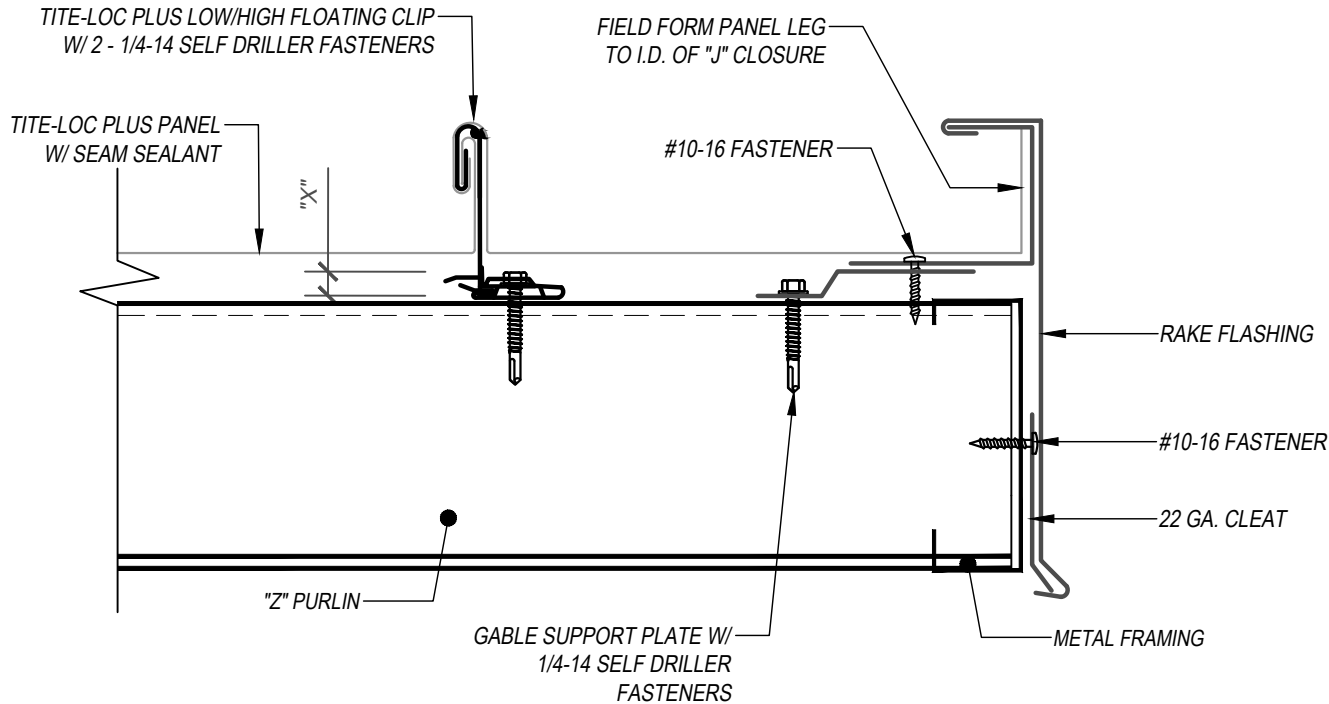
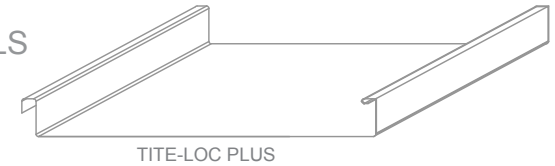
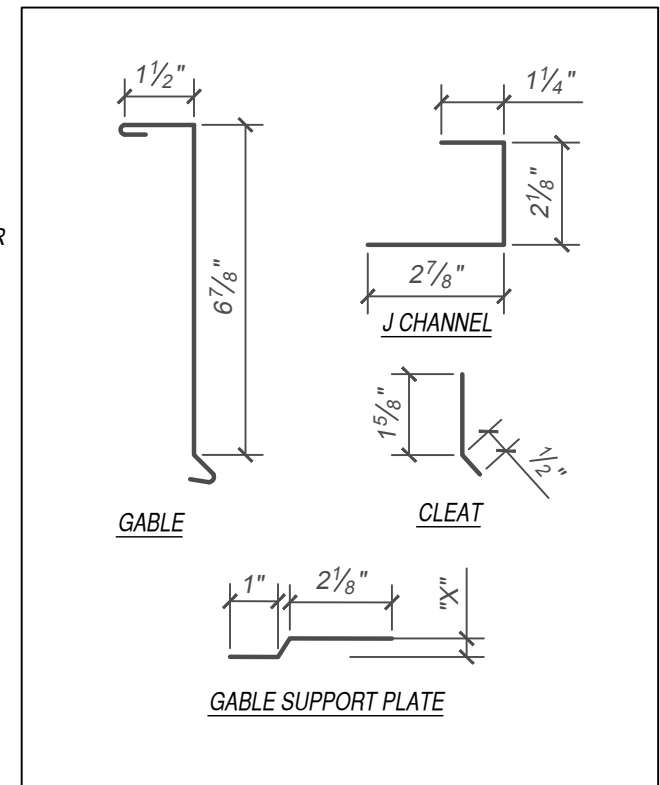


TITE-LOC PLUS - OPEN FRAMING SUBSTRATE DETAILS GABLE - OPTION 2 (J CHANNEL)



KEYNOTES:

- TRIM FASTENERS ARE SELF-TAPPING PANCAKE HEAD AND MUST BE INSTALLED IN A STAGGERED PATTERN
- CLIP FASTENERS MUST PENETRATE TOP FLANGE OF "Z" PURLIN SUBSTRATE BY 5/8" MINIMUM THREAD LENGTH
- CLIP SPACING VARIES BASED ON PROJECT SPECIFIC LOADS AND/OR LOCAL BUILDING CODES
- PANEL TO BE SEAMED 180 DEGREES

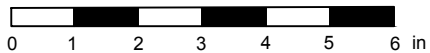


FLASHINGS

NOTES:

- "X" DIMENSION 3/8" SPACING FOR LOW FLOATING SYSTEM TO ACCOMMODATE UP TO 3" BATT INSULATION, 1" SPACING FOR HIGH FLOATING SYSTEM TO ACCOMMODATE BATT INSULATION AND/OR THERMAL BLOCK.

SCALE: 4" = 1'-0"



EFFECTIVE DATE: 01-03-2023

SUBJECT TO CHANGE WITHOUT NOTICE

DISCLAIMER: DETAIL SHOWN FOR ILLUSTRATION PURPOSES ONLY. ACTUAL PROJECT DETAIL MAY VARY