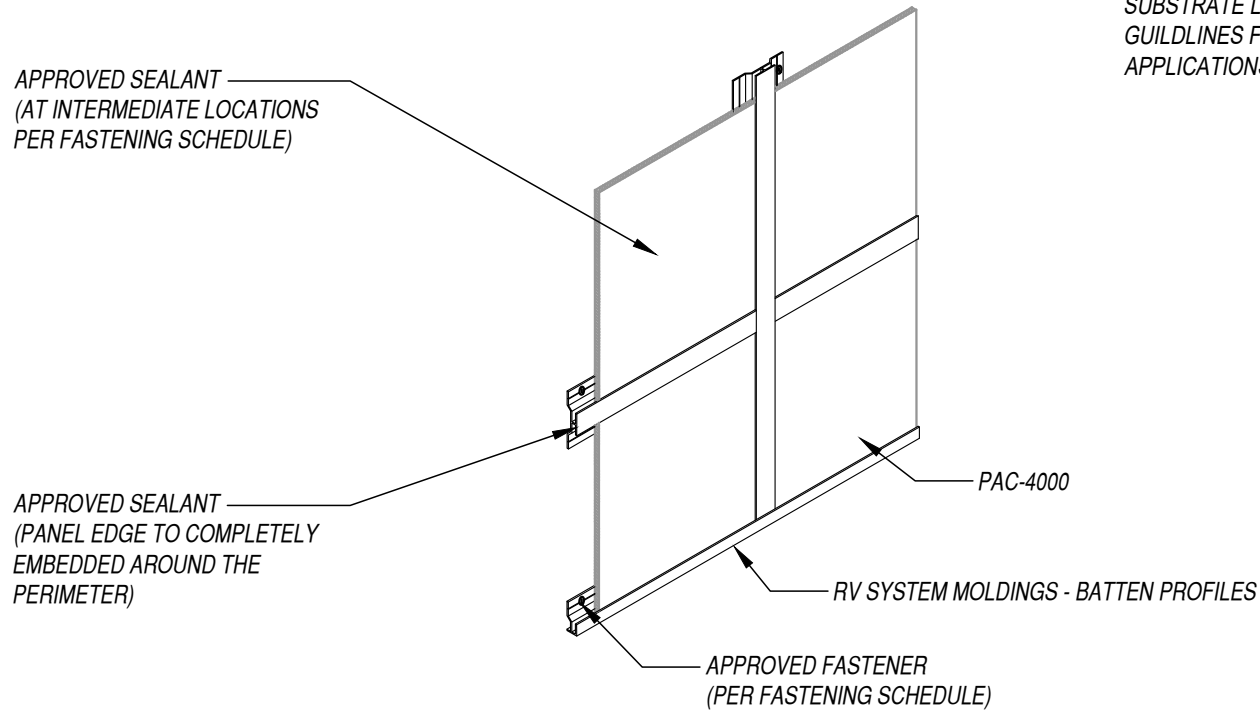


NOTE:
A WEATHER BARRIER IS REQUIRED BEHIND THIS CLADDING SYSTEM. OTHER COMPONENTS MAY ALSO BE REQUIRED TO COMPLETE THE PROPER INSTALLATION OF THIS SYSTEM AND WILL VARY BY WALL DESIGN. CONSULT SECTION DETAILS, SUBSTRATE LAYOUTS AND INSTALLATION GUIDELINES FOR ITEMS NEEDED FOR YOUR APPLICATIONS..



SCALE: N.T.S.
SUBJECT TO CHANGE WITHOUT NOTICE

DISCLAIMER: DETAIL SHOWN FOR ILLUSTRATION PURPOSES ONLY. ACTUAL PROJECT DETAIL MAY VARY

PETERSEN ALUMINUM CORPORATION - PAC-CLAD.COM

SALES@PETERSENMAIL.COM

HQ: 1005 Tonne Road
Elk Grove Village, IL 60007
P: 800-PAC-CLAD
F: 800-722-7150

1255 S Calton Avenue, Suite B
Baltimore, MD 21227
P: 800-344-1400
F: 301-953-7627

10551 PAC Road
Tyler, TX 75707
P: 800-441-8661
F: 903-581-8592

102 Northpoint Parkway
Acworth, GA 30102
P: 800-272-4482
F: 770-420-2533

1800 S. 7th Ave., Suite 130
Phoenix, AZ 85007
P: 833-750-1935
F: 602-254-6504

9817 233rd Ave. E, Suite A
Bonney Lake, WA 98391
P: 253-501-2450
F: N/A