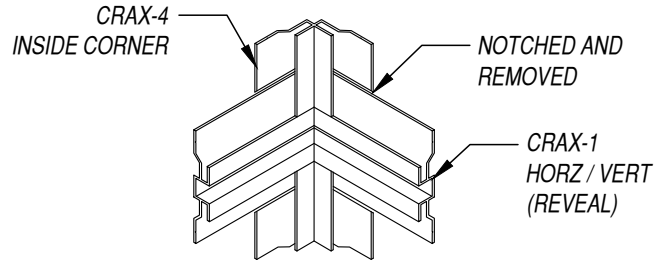
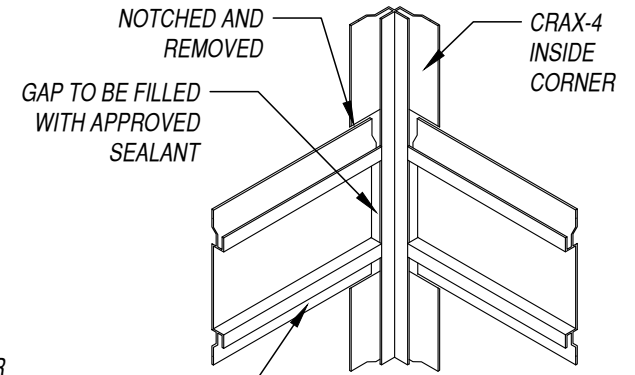


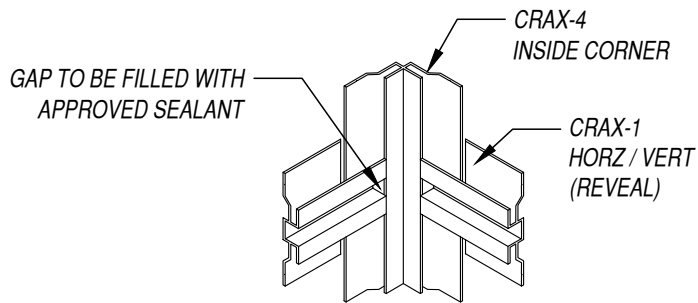
18A INSIDE CORNER OPTION 1



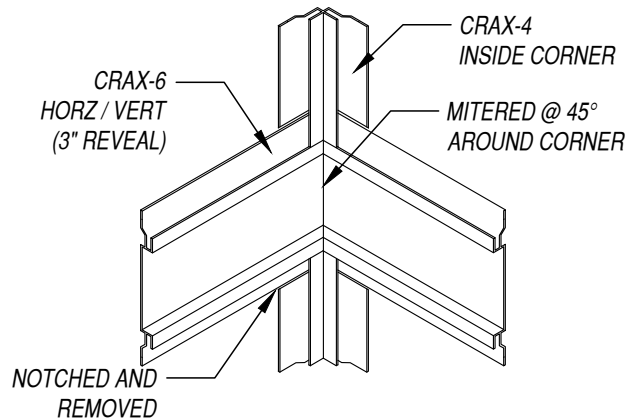
18B INSIDE CORNER OPTION 2



18E INSIDE CORNER OPTION 5



18C INSIDE CORNER OPTION 3



18D INSIDE CORNER OPTION 4

SCALE: N.T.S.
SUBJECT TO CHANGE WITHOUT NOTICE

DISCLAIMER: DETAIL SHOWN FOR ILLUSTRATION PURPOSES ONLY. ACTUAL PROJECT DETAIL MAY VARY