

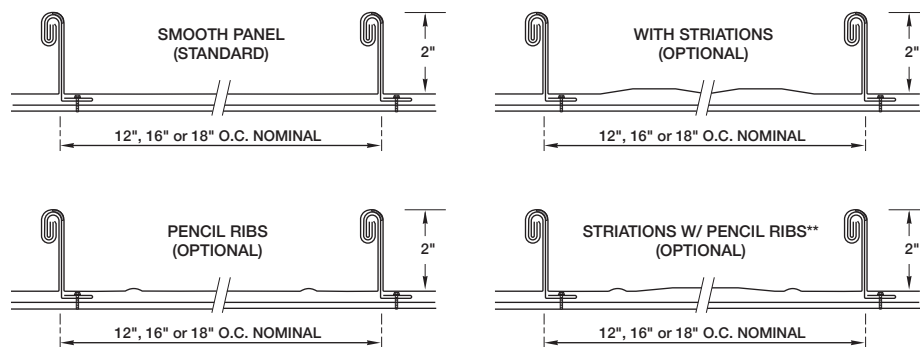
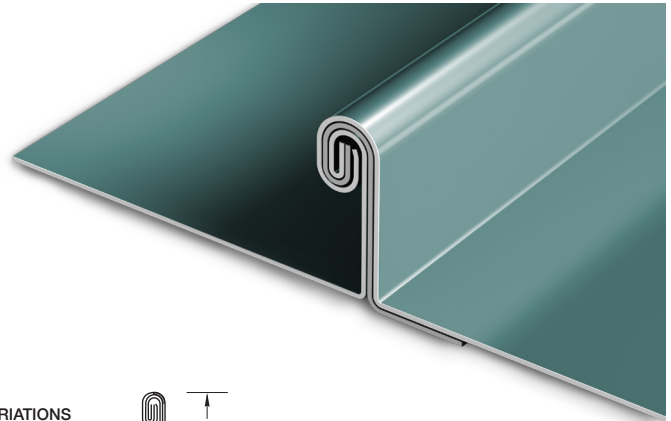
TITE-LOC PLUS PANEL

MATERIALS

.032 aluminum* 24 gauge steel*
 .040 aluminum* 22 gauge steel*

SPECS

12", 16" or 18" O.C.** 2" High



PRODUCT FEATURES

- ▶ Herr-Voss corrective leveled
- ▶ Pencil ribs and striations are only available by request
- ▶ 35-year non-prorated finish warranty
- ▶ Maximum panel length varies by facility. Consult rep for details.
- ▶ Weathertightness warranty available

MATERIAL

- ▶ 24 gauge steel
- ▶ 22 gauge steel
- ▶ .032 aluminum

- ▶ .040 aluminum
- ▶ Galvalume Plus available

UL CLASSIFICATION

- ▶ UL-580 Class 90 rated up to 18" O.C.
- ▶ UL-1897 wind uplift
- ▶ UL-790 Class A fire rated
- ▶ UL-263 fire resistance rated
- ▶ UL-2218 impact resistance rated

TESTS (TITE-LOC PLUS ONLY)

- ▶ 24 Gauge steel SSTD Missile Impact Tested - Passed

- ▶ .032 aluminum SSTD Missile Impact Tested - Passed

ASTM TESTS

- ▶ ASTM E1592 tested
- ▶ ASTM E331/1646 tested
- ▶ ASTM E283/1680 tested
- ▶ ASTM E2140 (Tite-Loc Plus only)

FLORIDA BUILDING & MIAMI-DADE PRODUCT APPROVALS

Please refer to pac-clad.com or your local factory for specific product approval numbers for Tite-Loc Plus.

*24 gauge and 22 gauge steel and .032 and .040 aluminum panels are UL-90 classified over solid substrate. See roof deck construction in Underwriters Laboratories roofing materials and systems directory. 24 gauge and 22 gauge Tite-Loc Plus panels are FM Approved in 12" and 16" widths over 16 gauge open purlins only.

** widths are nominal

*** Not available in all locations. Consult PAC rep for availability.

Not all panel conditions are available in each Petersen branch; additional freight charges might apply if specific panel condition is required. Tite-Loc and Tite-Loc Plus panels are supplied "smooth" as standard. Customer must advise if additional panel conditions are required.