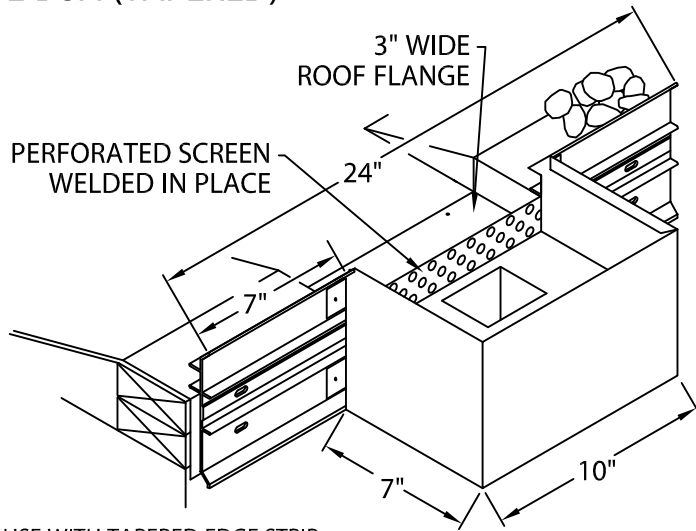


# PAC-TITE ANGULAR FASCIA

STONE BALLAST SINGLE-PLY VERSION

SCUPPERS - FACTORY WELDED CONSTRUCTION

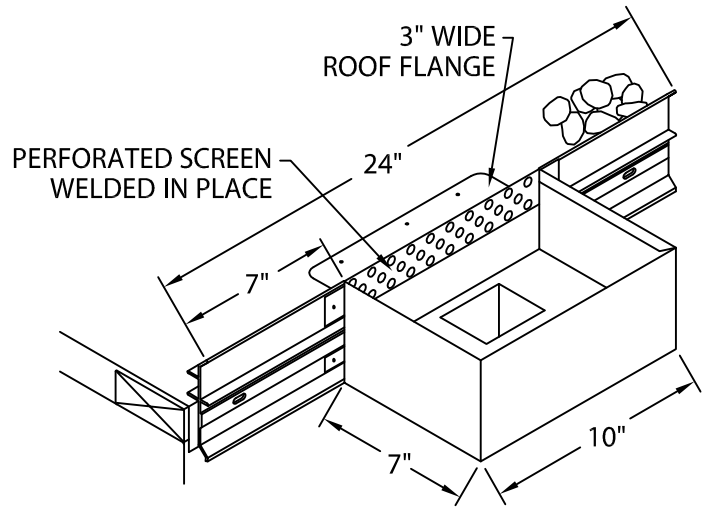
## DOWNSPOUT SCUPPER TYPE DSA (TAPERED)



FOR USE WITH TAPERED EDGE STRIP.  
FLANGE LOWERED 1 1/2".

NOTE : SPECIFY TUBE SIZE

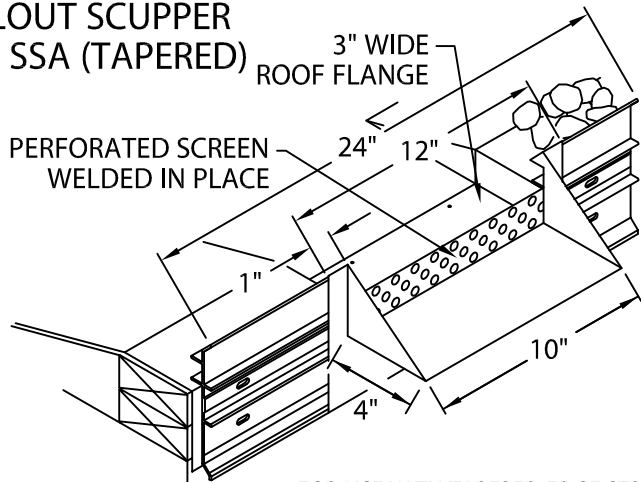
## DOWNSPOUT SCUPPER TYPE DSB (FLAT)



FOR USE WITHOUT TAPERED EDGE STRIP.  
FLANGE FLUSH MOUNTED WITH ROOF.

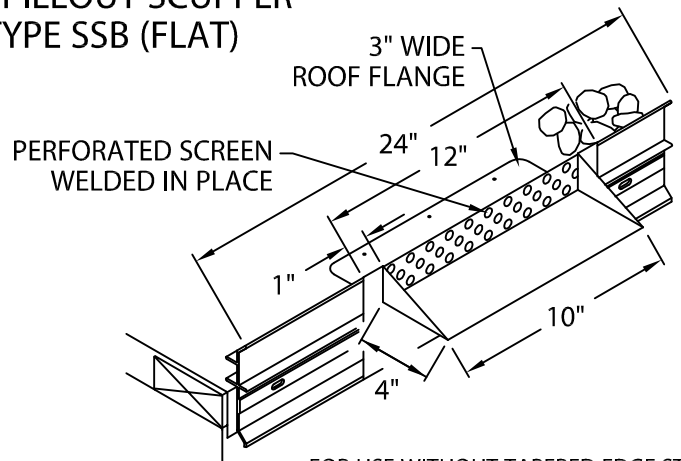
NOTE : SPECIFY TUBE SIZE

## SPILOUT SCUPPER TYPE SSA (TAPERED)



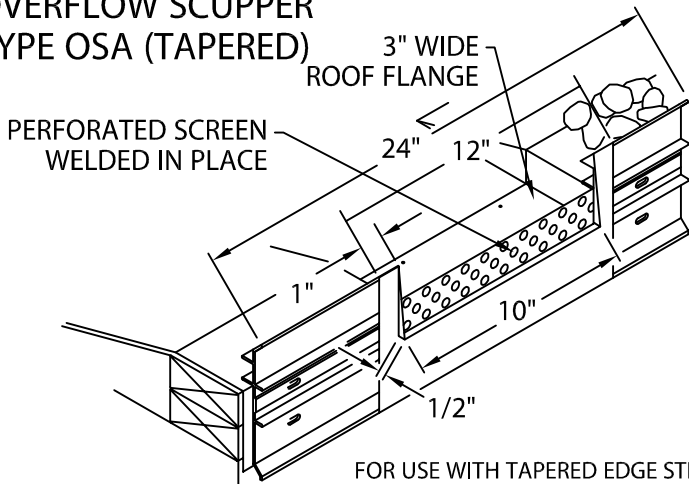
FOR USE WITH TAPERED EDGE STRIP.  
FLANGE LOWERED 1 1/2".

## SPILOUT SCUPPER TYPE SSB (FLAT)



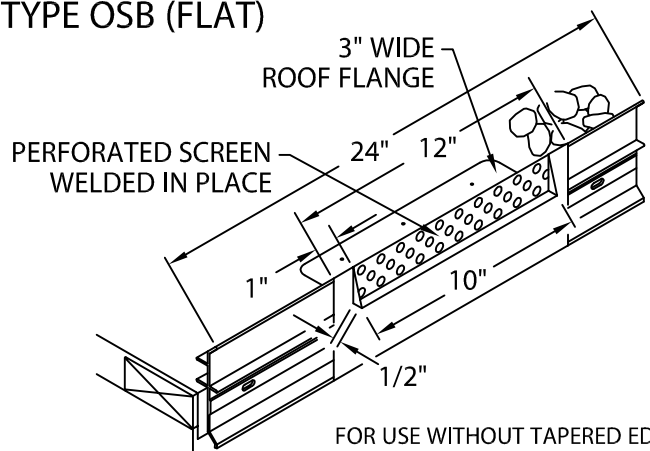
FOR USE WITHOUT TAPERED EDGE STRIP.  
FLANGE FLUSH MOUNTED WITH ROOF.

## OVERFLOW SCUPPER TYPE OSA (TAPERED)



FOR USE WITH TAPERED EDGE STRIP.  
FLANGE LOWERED 1 1/2".

## OVERFLOW SCUPPER TYPE OSB (FLAT)



FOR USE WITHOUT TAPERED EDGE STRIP.  
FLANGE FLUSH MOUNTED WITH ROOF.



Phone: 800-323-1960 Fax: 800-722-7150  
www.pac-clad.com  
e-mail: info@pac-clad.com

DATE: 07/23/10  
DRN BY: JJC  
CKD BY: SAK

SHT.# \_\_\_ OF \_\_\_  
DWG# 41510-12114

A