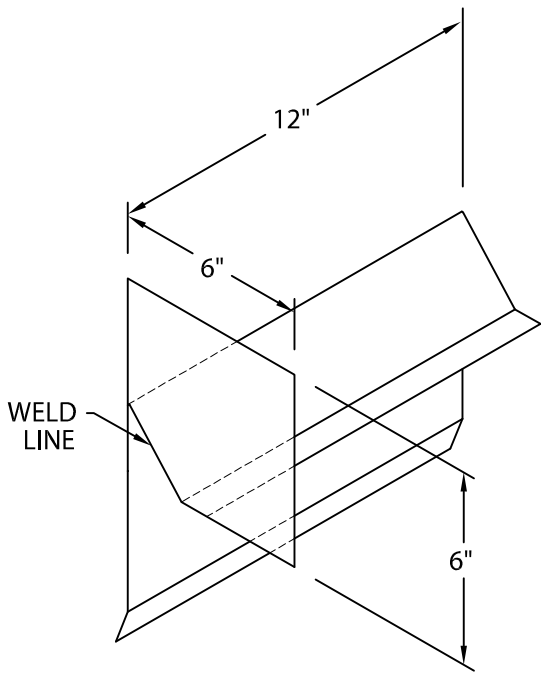


PAC-LOC FASCIA 2000

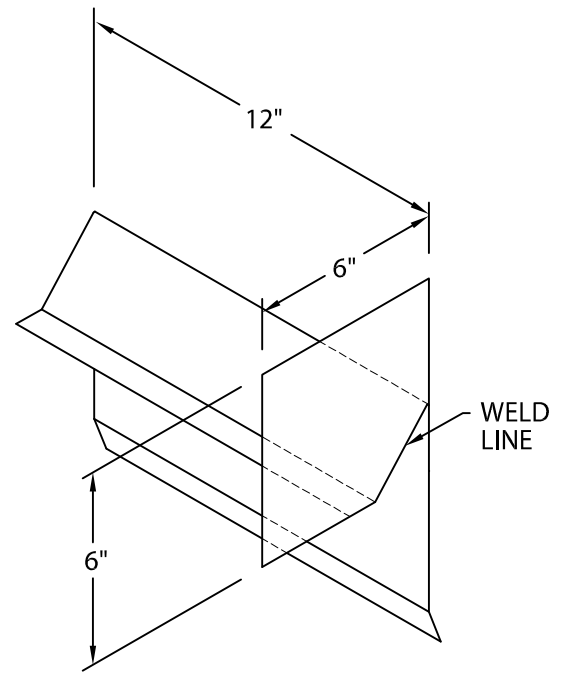
FULLY ADHERED OR MECHANICALLY ATTACHED SINGLE-PLY VERSION

TYPICAL FASCIA ENDCAPS AND ENDWALL FLASHING

ENDWALL FLASHING



LEFT ENDWALL

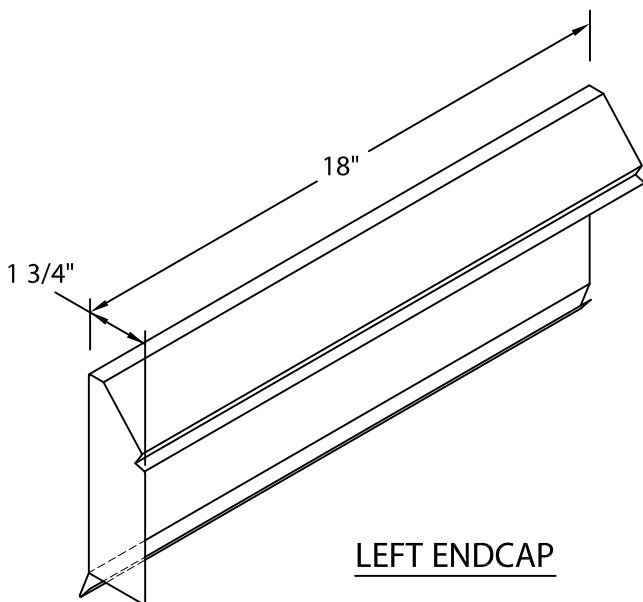


RIGHT ENDWALL

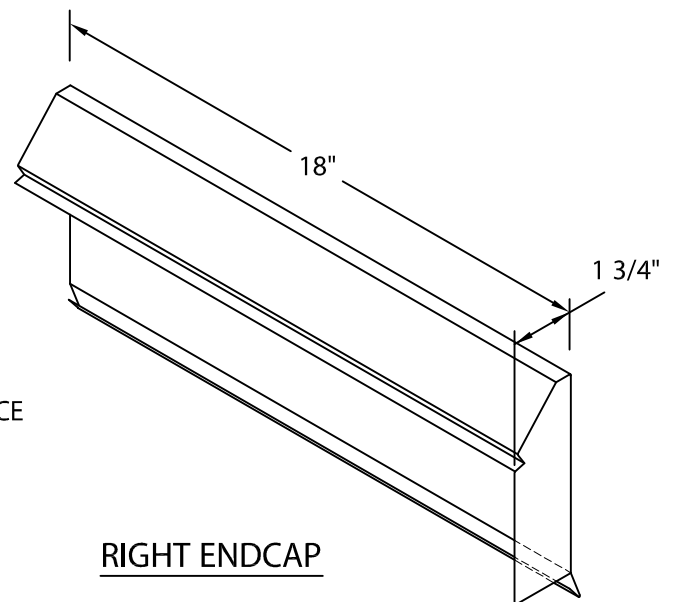
MATERIAL: .050 MILL FINISH

DIRECTION IS DETERMINED AS SEEN FROM ROOF SIDE

FASCIA ENDCAPS



LEFT ENDCAP



RIGHT ENDCAP

FASCIA COVER
INCLUDES SPLICE
PLATES

MATERIAL: SAME AS FASCIA COVER

DIRECTION IS DETERMINED AS SEEN FROM ROOF SIDE



Phone: 800-323-1960 Fax: 800-722-7150
www.pac-clad.com
e-mail: info@pac-clad.com

DATE: 08/05/10
DRN BY: JJC
CKD BY: SAK

SHT.# ___ OF ___
DWG# 41510-12231

A