

SSQ II[™] MultiPro

Roof Panel Machine

The most versatile portable roof panel machine available today!
Produces multiple panel profiles



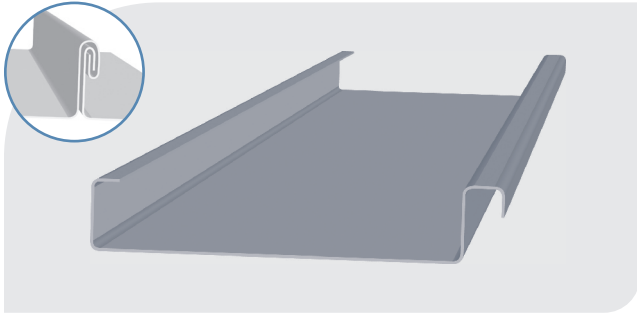
STANDARD FEATURES

- ▶ Polyurethane drive rollers
- ▶ Proximity sensor on shear end
- ▶ Hydraulic drive and shear
- ▶ Industry's best warranty
- ▶ Push-button RUN/JOG controls at entry and exit ends
- ▶ Powder-coated frame and covers
- ▶ Welded tubular steel frame
- ▶ Power interruption safety circuit
- ▶ **Choice of:** Quick-Change[™] Profile Roller System with shear dies
- ▶ **Choice of:** Quick-Change[™] Power-Pack (gas or electric)
- ▶ **Choice of:** One pair of bead, pencil or striation rollers

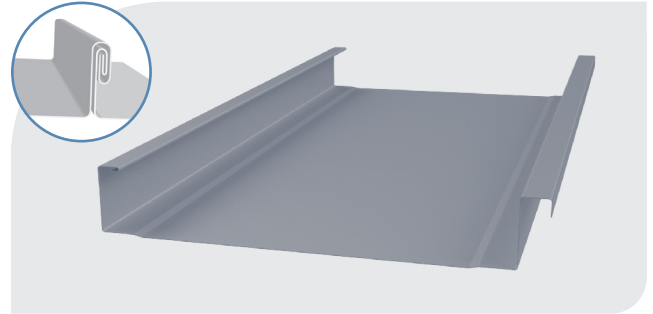


< [Scan the QR Code](#)
to learn more about the
SSQ II MultiPro Roof Panel Machine.

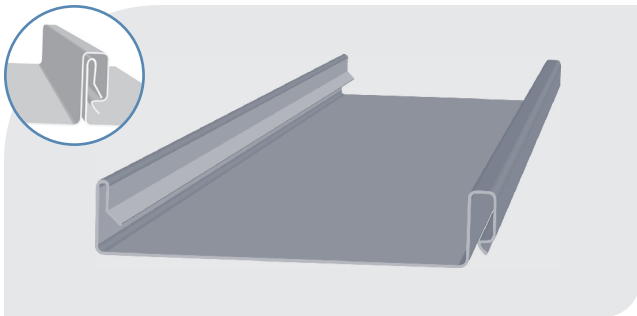
Panel Profiles



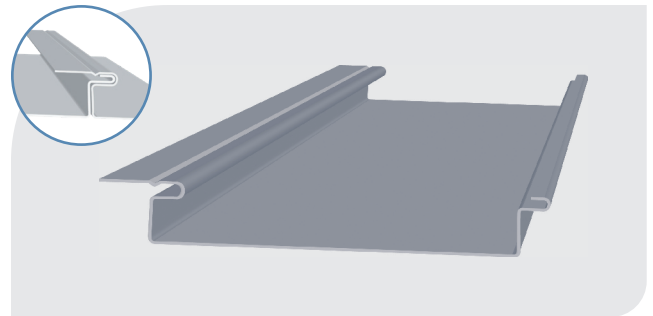
PAC-150



TITE-LOC PLUS



SNAP-CLAD



FLUSH PANEL

WARRANTIES

- ▶ **USA & Canada Warranty:** Three years parts (including electrical) and three years labor, limited lifetime against separation on drive rollers, limited lifetime against wear on stainless steel forming rollers
- ▶ **International Warranty:** Three years parts (including electrical/excluding freight), limited lifetime against separation on drive rollers, limited lifetime against wear on stainless steel forming rollers



< Scan the QR Code
to learn more about the
SSQ II MultiPro Roof Panel Machine.

