

SSQ3™ MultiPro

Metal Panel Machine



The most versatile portable roof panel machine available today.
Produces multiple panel profiles

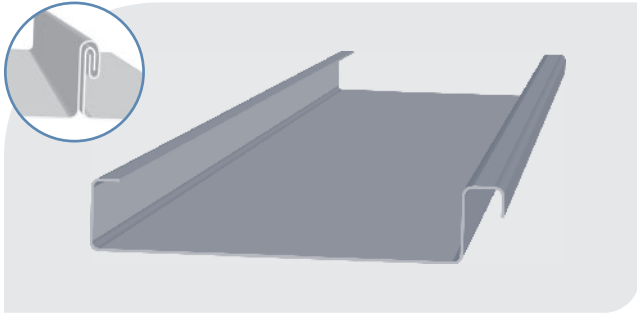
STANDARD FEATURES

- ▶ QWIKSwap tooling
- ▶ Sealed drive gear covers
- ▶ Remote zerk fittings
- ▶ Eight interior LEDs
- ▶ RFID cover sensors
- ▶ Tool-free notcher entry door
- ▶ Shear warning strobe
- ▶ Quick-change guide rods
- ▶ Quick-change rib roller frame
- ▶ Improved bottom guarding

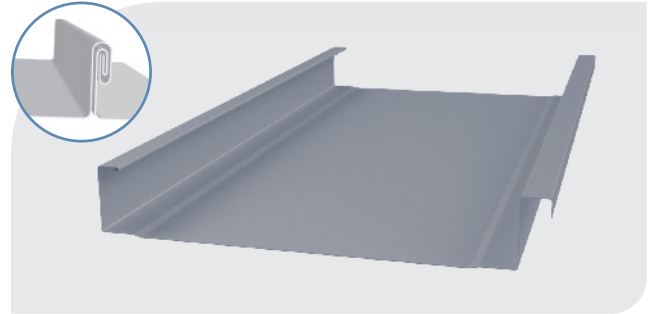


< Scan the QR Code
to learn more about the
SSQ3 MultiPro Metal Panel Machine.

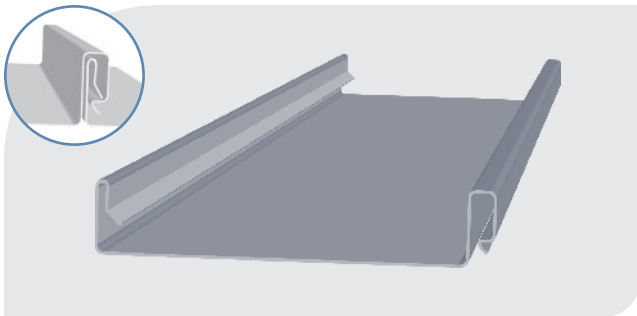
Panel Profiles



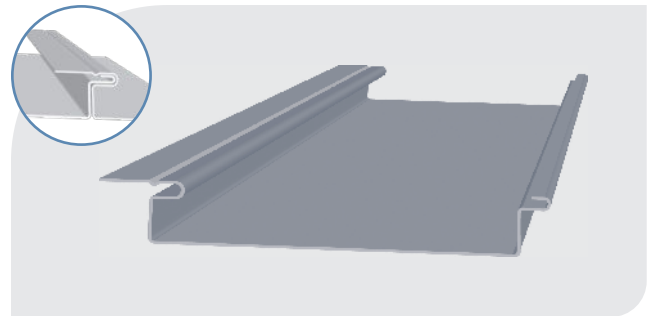
PAC-150



TITE-LOC PLUS



SNAP-CLAD



FLUSH PANEL

WARRANTIES

- ▶ **USA & Canada Warranty:** Three years parts (including electrical) and three years labor, limited lifetime against separation on drive rollers, limited lifetime against wear on stainless steel forming rollers
- ▶ **International Warranty:** Three years parts (including electrical/excluding freight), limited lifetime against separation on drive rollers, limited lifetime against wear on stainless steel forming rollers



< Scan the QR Code
to learn more about the
SSQ3 MultiPro Metal Panel Machine.

